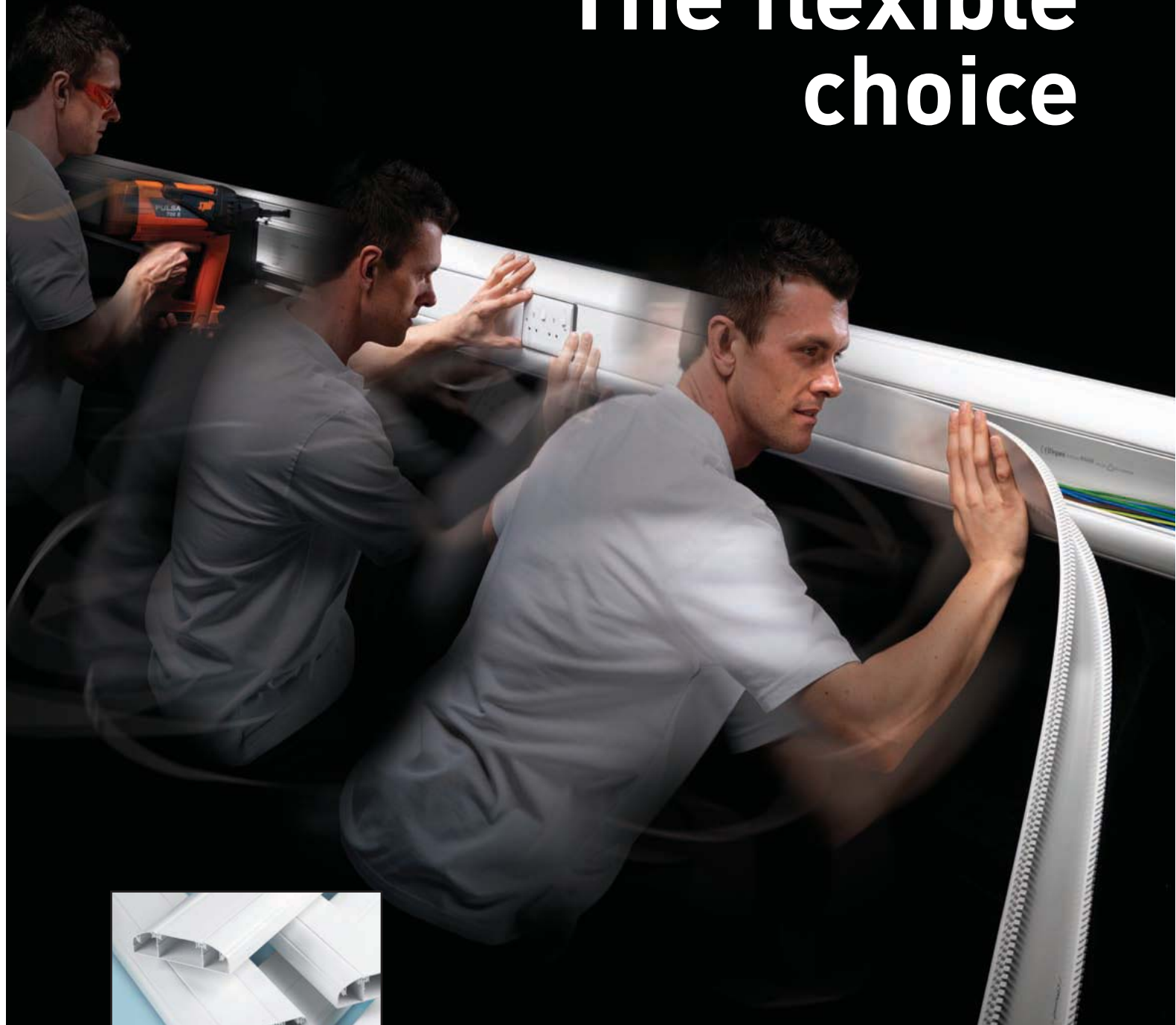


The flexible choice



DLP CONTOUR PVC-U TRUNKING
/ PRODUCT GUIDE



 **legrand**[®]

■ POWERED BY SPECIALISTS

ibemo Kazakhstan - 090301 Republic of Kazakhstan, West Kazakhstan Oblast, Aksai, Pramzone, BKKS office complex
Phone: +7 71133 93077 ; Fax: +7 71133 93074 ; E-Mail: info@ibemo-kz.com

Global vision...

21st Century solutions

Why choose Legrand?

In a word, confidence. Legrand is a world leader in its field, with offices and subsidiaries in more than 60 countries and sales in around 180 countries. Globally, Legrand holds 19% of the wiring devices market and 15% of the cable management market.

Innovation for progress

Legrand invests heavily in research and development. It has nearly 1,800 people around the world inventing, designing, testing and validating new ideas.

By actively focusing on new product development, Legrand is able to launch new ranges that facilitate installation for the contractor and simplify usage for the end user.



Sustainable development

Legrand relies heavily on its core values and on the expertise of its teams to ensure profitable, long-lasting and responsible growth... combining long-term performance with environmental conservation and the valuing of human resources.

Products and systems for electrical installations and information networks

A specialist in trunking solutions

Legrand offers perimeter trunking solutions in PVC-U, steel and aluminium. And as the world leader in both cable management and wiring devices, our combined know-how ensures the choice of perfectly integrated systems that are designed to work together.

Our aim is to increasingly adopt targets to reduce the environmental impact of our products. The new DLP Contour range has been developed with this in mind and is manufactured from lead-free⁽¹⁾ PVC-U.





Contents

Overview

DLP Contour - Introduction	04
DLP Contour - Installation features	06
Synergy wiring devices	08
Part M compliance	10

Catalogue and technical information

Selection charts	12
Dado 195 x 50 - 3 compartment	14
Skirting 150 x 50 - 2 compartment	15
Skirting 195 x 50 - 3 compartment	16
Universal 150 x 50 - 2 compartment	17
Universal 195 x 65 - 2 compartment	18
Universal 105 x 50 - 1 compartment (2m)	19
Universal 195 x 50 - 2 compartment (2m)	20
Accessories	21
Technical data	22

DLP Contour range

An updated range for all commercial new build and renovation projects

The perfect partner

DLP Contour perimeter trunking ensures electrical equipment and communication networks are available just where you want them... making it the ideal choice for any modern commercial environment, from hotels and offices to meeting rooms and classrooms.

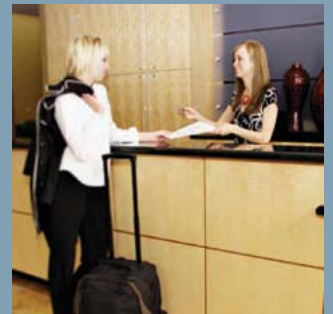
Sleek enough to go unnoticed, stylish enough to be on show, DLP Contour brings commercial buildings to life.



Transforming old into new

DLP Contour is the ideal choice for refurbishment projects, bringing older buildings up to speed with today's power and data demands without the need for major work, saving you time and money. Its adjustable bends make light work of uneven corners, whilst the unique flexible lid ensures a smooth finish.

**DLP Contour...
the perfect choice for
schools, offices and
hotels. Providing power
and data wherever
you need it**



Modern buildings such as offices, schools and hotels require convenient, flexible access to ever-changing power and data needs.

This can only be achieved by creating an adaptable infrastructure, capable of integrating electrical equipment and communication networks wherever needed.



Fast, flexible and full of features

A fully integrated, installer-friendly solution

Simply more effective

Legrand has refined its popular DLP range to ensure its PVC-U perimeter trunking offer meets the needs of the UK market. The updated DLP Contour range continues to be as flexible and installer-friendly as its predecessor, and is now easier to order and stock.

DLP Contour comprises three profiles... dado, skirting and universal... in three metre lengths. In addition, new two metre universal lengths are now available for easy transportation and handling on smaller jobs.

The transformation is completed by a choice of innovative fixing methods and new accessories that aid with the latest regulations compliance.

Synergy White wiring devices
are the perfect partner for
DLP Contour



Part M compliance

New contrast frames allow Legrand's Synergy White wiring devices to be used on white trunking whilst helping designers to meet the requirements of Part M of the Building Regulations.

EMC screening

Optional clip-in steel dividers can be used to greatly enhance EMC screening between power and data cables.



Three stylish profiles... seven versatile options

DLP Contour is available in a choice of three different profiles... dado, skirting and universal... each of which offers a selection of sizes to ensure the right configuration as well as the right look.



Internal and external corners
are adjustable from 85 to 95°



Clip-on flexible lids are easy to
install... creating seamless corners



Multiple fixing options

- Spit Pulsa 700E nail gun end cap :
for fixing to concrete, steel and other substrates
- Rapid wall plug :
for plasterboard (drill, screw and plug in one action)
- Wall plug :
for plasterboard (drill and hammer)



VDI accessory gently guides fragile data cables around bends

Trunking body naturally supports cables during installation



Clip-in / out back boxes for easy installation and maintenance

Smooth cornering

Create a smooth, contoured, professional finish, even when walls are not perfectly square, using DLP Contour's adjustable corners and unique flexible lid.



Secure trunking body to the wall



Clip on inner corner fixings



Clip lid into place around the corner (no cutting required)



Add additional lids



Clip on outer corner fixings



Complete external corner

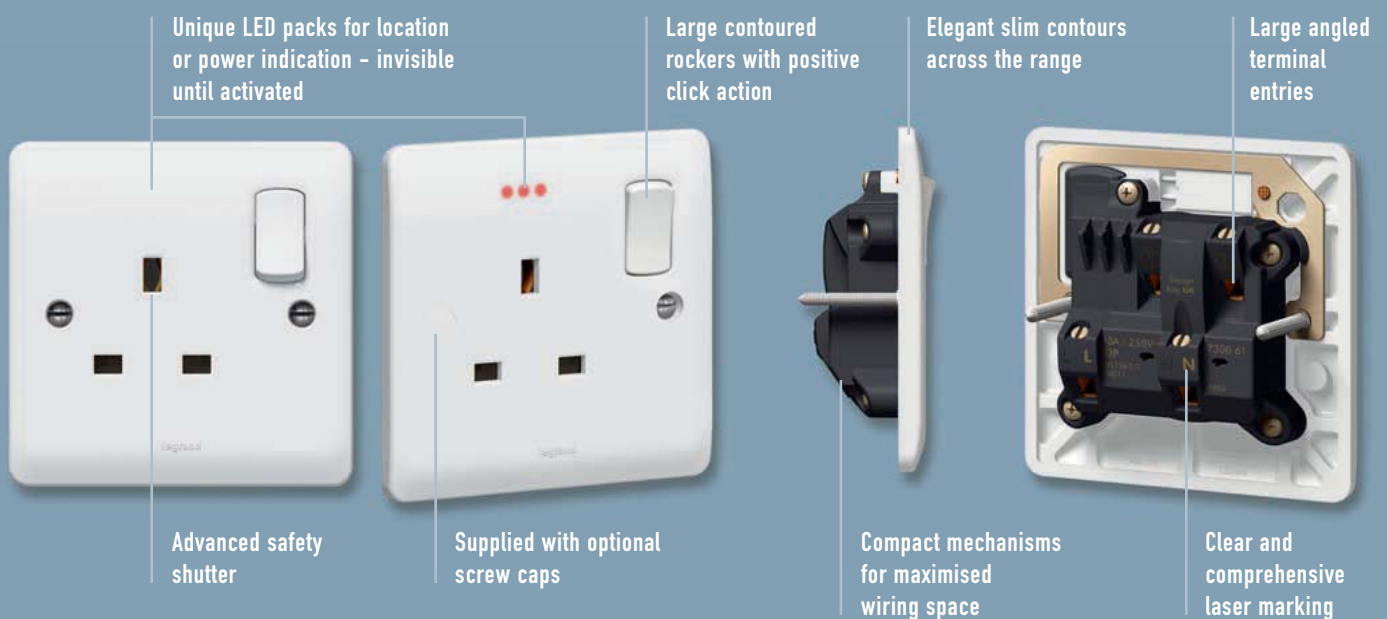
DLP Contour's unique innovations such as the flexible lid, clip in / out back boxes and adjustable corners make installation and maintenance child's play

The perfect finish

Add versatility and style with Synergy wiring devices

Complete your installation with Synergy wiring devices. Timeless design, ingenious features and high quality components that provide complete solutions for today's demanding users.

With 19% of the global wiring devices market, millions of people around the world have already switched on to Legrand!



An extended family that fits in perfectly

WHITE



White

METALCLAD



Metalclad

TRADITIONAL



Brushed steel



Polished steel



Brushed brass

ROPE EDGE



Brass

MODERN



Silver



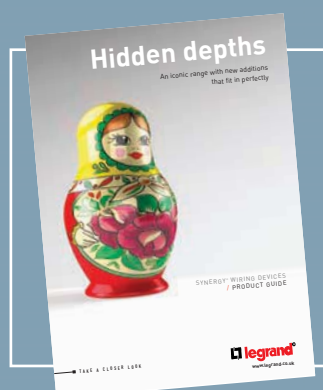
Nickel



Black nickel



Matt black



Quality components and ease of installation make Synergy the ideal partner for DLP Contour. And with a wide choice of finishes and styles, there is certain to be a match for any environment, ensuring consistency throughout every installation.

To order a copy of our Synergy product guide, visit www.legrand.co.uk or call 0845 605 4333

Access to and use of buildings

Meeting the requirements of the latest Part M regulations

Part M requirements for wiring devices and controls take into account three elements :

Accessibility : positioning of wiring devices

Visibility : contrast with surroundings

Ease of use : large or separated controls

Through its vast product portfolio and its market-leading technical support, Legrand is ideally placed to offer high quality solutions and advice whatever the application.



Keeping it simple

At first glance the regulations may appear complex and costly to achieve, but a closer look and a dip into Legrand's huge selection of wiring devices provides some simple, cost-effective solutions.



DLP Contour with contrasting wiring devices



DLP Contour with Synergy White and contrast frame



Plexo 66 weatherproof switch with large rocker



Synergy Metalclad providing contrast on white wall



Synergy traditional satin brass on pale wall



Synergy White on strong colour

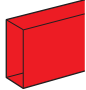
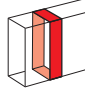
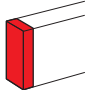

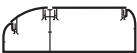

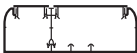
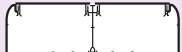
Our Part M solutions guide provides more detailed advice and guidance on the regulations

To order your copy, visit www.legrand.co.uk or call 0845 605 4333




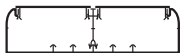
DLP Contour trunking profiles and accessories

DLP CONTOUR 3 M

					TRUNKING	FITTINGS		
Section (mm)		Number of compartments		Page No.	Lid width (mm)	Trunking 	Couplers 	End caps 
DADO	195 x 50	3		p. 14	2 x 42 curved + 1 x 85	6204 55	6208 48	6207 13
	150 x 50	2		p. 15	1 x 42 curved + 1 x 85	6204 58	6208 46	6207 14
SKIRTING	195 x 50	3		p. 16	1 x 42 curved + 1 x 85 + 1 x 40	6204 54	6208 47	6207 10
	150 x 50	2		p. 17	1 x 40 + 1 x 85	6204 44	6208 39	0107 03
UNIVERSAL	195 x 65	2		p. 18	2 x 85	6204 47	6208 45	0107 07

DLP CONTOUR 2 M

2 METRE LENGTHS

					TRUNKING	FITTINGS		
Section (mm)		Number of compartments		Page No.	Lid width (mm)	Trunking	Couplers	End caps
UNIVERSAL	105 x 50	1		p. 19	1 x 85	0104 64	6208 38	0107 02
	195 x 50	2		p. 20	2 x 85	0104 70	6208 43	0107 11

FIXINGS	
Accessory	Cat. Nos.
DLP Spit gun end cap	0106 95
DLP rapid wall plug	0308 97
DLP wall plug	0308 99

MOULDED BACK BOXES ⁽¹⁾		
Depth	Gang	Cat. Nos.
25 mm deep	1 gang	6208 16
	2 gang	6208 17
35 mm deep	1 gang	6208 26
	2 gang	6208 27

(1) Steel back boxes are available for all trunking ranges, see p. 21

FITTINGS

Internal angles	External angles	Flat angles up	Flat angles down	Flat tees	Cable retainer	VDI accessories	Bridge for Tee
6206 10	6206 30	6206 67	6206 67	6207 59	0106 82	-	6207 60
6206 18	6206 29	6206 43	6206 44	See below	0106 82	-	6207 60
6206 18	6206 29	6206 65	6206 66	See below	0106 82	-	6207 60
0106 06	0106 35	0107 89	0107 89	See below	0106 82	See below	6207 60
0106 07	0106 36	0107 93	0107 93	6207 49	0106 82	See below	6207 60

FITTINGS

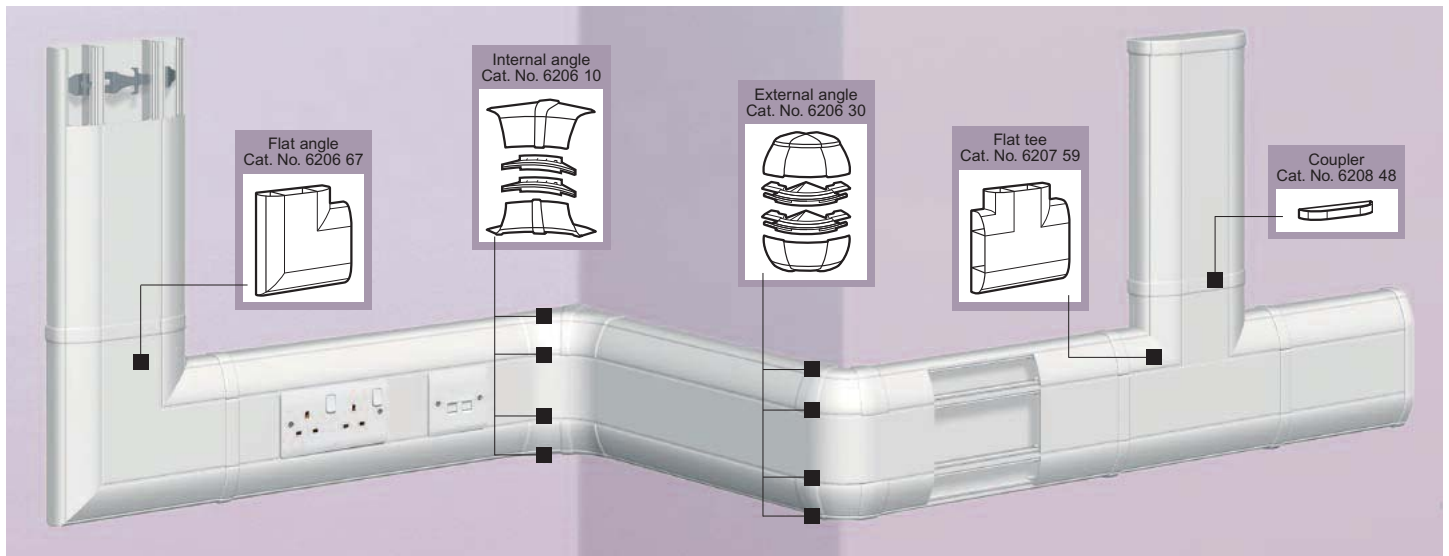
0106 02	0106 22	0107 85	0107 85	0107 36	0106 82	See below	6207 60
0106 06	0106 35	0107 92	0107 92	0107 36	0106 82	See below	6207 60

FLAT TEES		Vertical branch			
		150 x 50	150 x 50	195 x 50	
Horizontal trunking	150 x 50		6207 54	6207 56	-
	195 x 50		-	-	6207 57
	150 x 50		6207 45	6207 46	-

VDI ACCESSORIES (FOR DATA CABLING)	
Accessory	Cat. Nos.
For internal angle	0107 80
For external angle	0107 81
For flat bend	0107 82
For flat tee	0107 83

DLP Contour trunking - dado 195 x 50

3 compartment



Dimensions and technical information (p. 22-23)
Selection chart (p. 12-13)

Pack	Cat. Nos.	Trunking
2 x 3 m	6204 55	<p>Material : high impact self-extinguishing PVC-U Colour : white RAL 9003 Length : 3 metres Lid width : 2 x 42 curved + 1 x 85 mm</p> <p>Trunking assembly 195 x 50 mm Body, lids and dividers included, 3 m lengths</p>
5	6208 48	<p>Coupler Consists of body coupler and lid joint strip</p>

Pack	Cat. Nos.	Lids
8 x 3 m	6205 22	Spare flat lid – 85 mm
2 x 3 m	6205 09	Spare curved lid – 42 mm

Pack	Cat. Nos.	Accessories
1	8218 37	Clip-in steel divider insert Provides extra screening. Supplied complete with earth couplers and screws Clips into PVC-U divider
1	8218 38	50 mm internal angle insert Provides extra screening For use with clip-in steel divider
1	8218 39	50 mm external angle insert Provides extra screening For use with clip-in steel divider

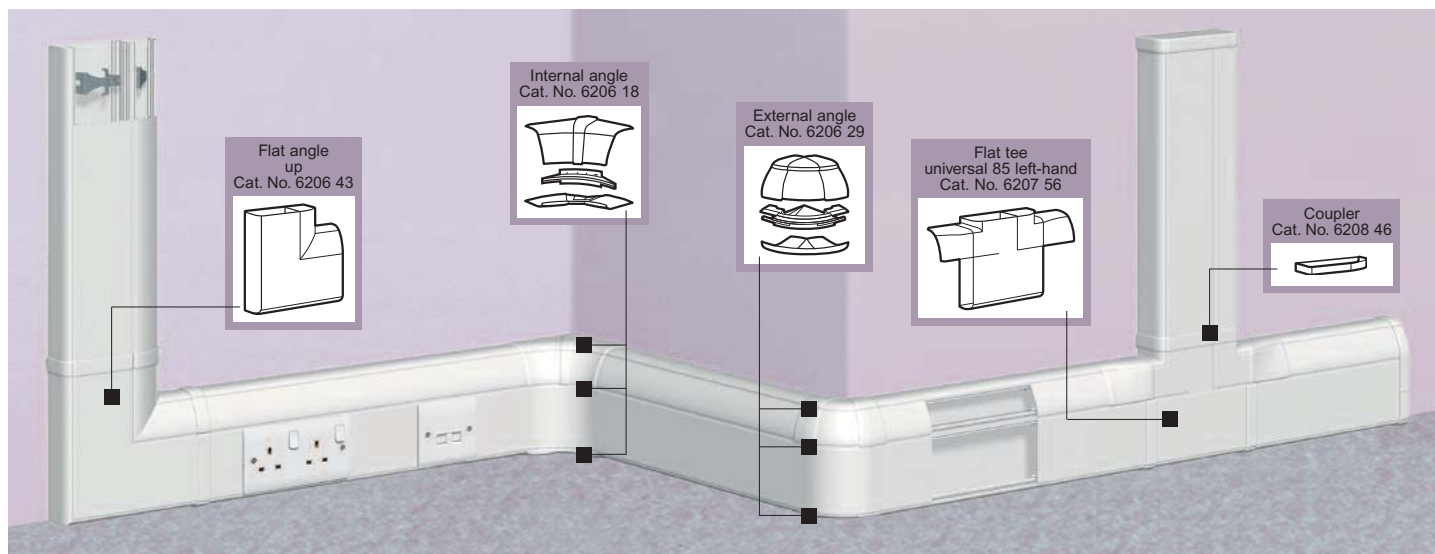
Pack	Cat. Nos.	Fittings
5	6207 13	End cap Supplied singly – for use as a right or left end cap
5	6206 10	Internal angle Variable 90° ± 5° Consists of top and bottom parts and dividers
5	6206 30	External angle Variable 90° ± 5° Consists of top and bottom parts and dividers
1	6206 67	Flat angle
1	6207 59	Flat tee
5	6207 60	Bridge for flat tee Allows complete separation of cables within the tee if cables need to cross over

For common accessories, including back boxes, fixings and contrast frames to aid Part M compliance

see p. 21

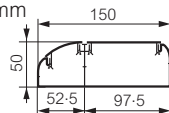
DLP Contour trunking - skirting 150 x 50

2 compartment



Dimensions and technical information (p. 22-23)
Selection chart (p. 12-13)

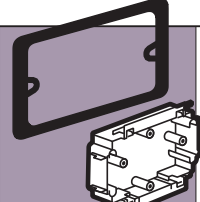
Pack	Cat. Nos.	Trunking
2 x 3 m	6204 58	Material : high impact self-extinguishing PVC-U Colour : white RAL 9003 Length : 3 metres Lid width : 1 x 42 curved + 1 x 85 mm Trunking assembly 150 x 50 mm Body, lids and divider included, 3 m lengths
5	6208 46	Coupler Consists of body coupler and lid joint strip



Pack	Cat. Nos.	Fittings
5	6207 14	End cap Pack of 2 containing a left and a right hand cap
5	6206 18	Internal angle Variable 90° ± 5° Consists of top and bottom parts and dividers
5	6206 29	External angle Variable 90° ± 5° Consists of top and bottom parts and dividers
1	6206 43	Flat angles Flat angle up
1	6206 44	Flat angle down
1	6207 54	Flat Tees Flat tee universal right hand Up with a 150 x 50 mm universal branch, with 85 mm compartment on right hand side
1	6207 56	Flat tee universal left hand Up with a 150 x 50 mm universal branch, with 85 mm compartment on left hand side
5	6207 60	Bridge for flat tee Allows complete separation of cables within the tee if cables need to cross over

Pack	Cat. Nos.	Lids
8 x 3 m	6205 22	Spare flat lid – 85 mm
2 x 3 m	6205 09	Spare curved lid – 42 mm

Pack	Cat. Nos.	Accessories
1	8218 37	Clip-in steel divider insert Provides extra screening. Supplied complete with earth couplers and screws Clips into PVC-U divider
1	8218 38	50 mm internal angle insert Provides extra screening For use with clip-in steel divider
1	8218 39	50 mm external angle insert Provides extra screening For use with clip-in steel divider

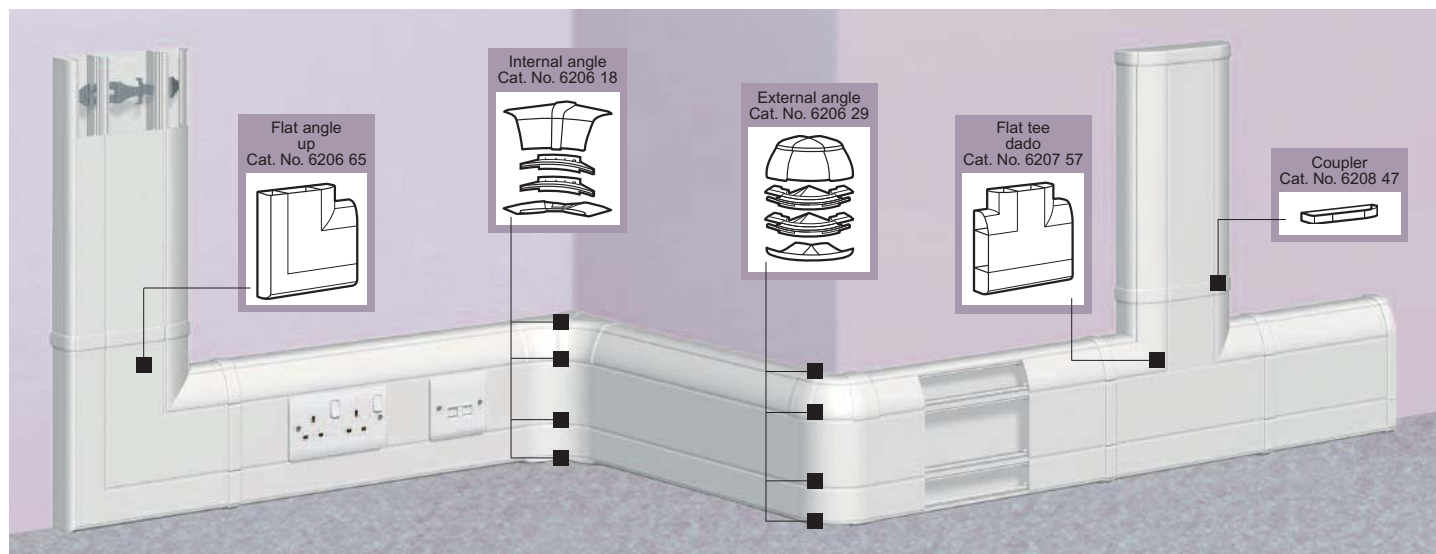


For common accessories, including back boxes, fixings and contrast frames to aid Part M compliance

see p. 21

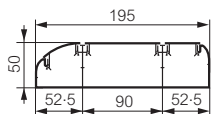
DLP Contour trunking - skirting 195 x 50

3 compartment



Dimensions and technical information (p. 22-23)
Selection chart (p. 12-13)

Pack	Cat. Nos.	Trunking
2 x 3 m	6204 54	Material : high impact self-extinguishing PVC-U Colour : white RAL 9003 Length : 3 metres Lid width : 1 x 42 curved + 1 x 85 + 1 x 40 mm Trunking assembly 195 x 50 mm Body, lids and dividers included, 3 m lengths
5	6208 47	Coupler Consists of body coupler and lid joint strip



Pack	Cat. Nos.	Lids
8 x 3 m	6205 22	Spare flat lid – 40 mm Spare flat lid – 85 mm
2 x 3 m	6205 09	Spare curved lid – 42 mm

Pack	Cat. Nos.	Accessories
1	8218 37	Clip-in steel divider insert Provides extra screening. Supplied complete with earth couplers and screws Clips into PVC-U divider
1	8218 38	50 mm internal angle insert Provides extra screening For use with clip-in steel divider
1	8218 39	50 mm external angle insert Provides extra screening For use with clip-in steel divider

Pack	Cat. Nos.	Fittings
5	6207 10	End cap Pack of 2 containing a left and a right hand cap
5	6206 18	Internal angle Variable 90° ± 5° Consists of top and bottom parts and dividers
5	6206 29	External angle Variable 90° ± 5° Consists of top and bottom parts and dividers
1	6206 65	Flat angles Flat angle up
1	6206 66	Flat angle down
1	6207 57	Flat Tees Flat tee to dado Up with a 3 compartment 195 x 50 dado branch
5	6207 60	Bridge for flat tee Allows complete separation of cables within the tee if cables need to cross over

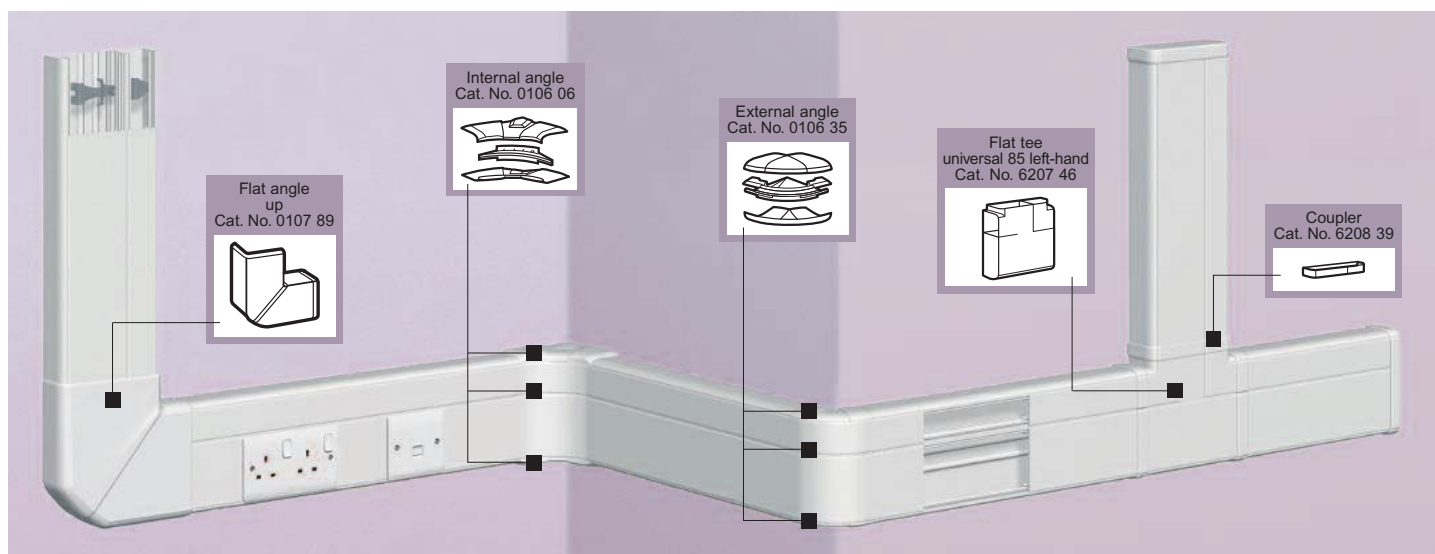


For common accessories, including back boxes, fixings and contrast frames to aid Part M compliance

see p. 21

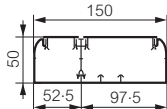
DLP Contour trunking - universal 150 x 50

2 compartment



Dimensions and technical information (p. 22-23)
Selection chart (p. 12-13)

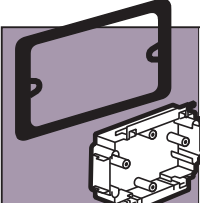
Pack	Cat. Nos.	Trunking
2 x 3 m	6204 44	Material : high impact self-extinguishing PVC-U Colour : white RAL 9003 Length : 3 metres Lid width : 1 x 40 + 1 x 85 mm Trunking assembly 150 x 50 mm Body, lids and divider included, 3 m lengths
5	6208 39	Coupler Consists of body coupler and lid joint strip



Pack	Cat. Nos.	Fittings
10	0107 03	End cap Supplied singly – for use as a right or left end cap
5	0106 06	Internal angle Variable 90° ± 5° Consists of top and bottom parts and dividers
5	0106 35	External angle Variable 90° ± 5° Consists of top and bottom parts and dividers
5	0107 89	Flat angles Flat angle up
1	6207 45	Flat Tees Flat tee universal 85 right hand Up with a 150 x 50 mm universal branch, with 85 mm compartment on right hand side
1	6207 46	Flat tee universal 85 left hand Up with a 150 x 50 mm universal branch, with 85 mm compartment on left hand side
5	6207 60	Bridge for flat tee Allows complete separation of cables within the tee if cables need to cross over

Pack	Cat. Nos.	Lids
12 x 3 m	6205 20	Spare flat lid – 40 mm
8 x 3 m	6205 22	
12 x 2 m	0105 82	Accessories Spare clip-in PVC-U divider Enables internal segregation of cables within the trunking
1	8218 37	Clip-in steel divider insert Provides extra screening. Supplied complete with earth couplers and screws Clips into PVC-U divider
1	8218 38	50 mm internal angle insert Provides extra screening For use with clip-in steel divider
1	8218 39	50 mm external angle insert Provides extra screening For use with clip-in steel divider

Pack	Cat. Nos.	Accessories for data cabling (VDI)
5	0107 80	To be used on internal, external, flat angles and flat tees Respect bend radius for cables according to the EIA/TIA standards Accessory for internal angle
5	0107 81	Accessory for external angle
5	0107 82	Accessory for flat angle
5	0107 83	Accessory for flat tee

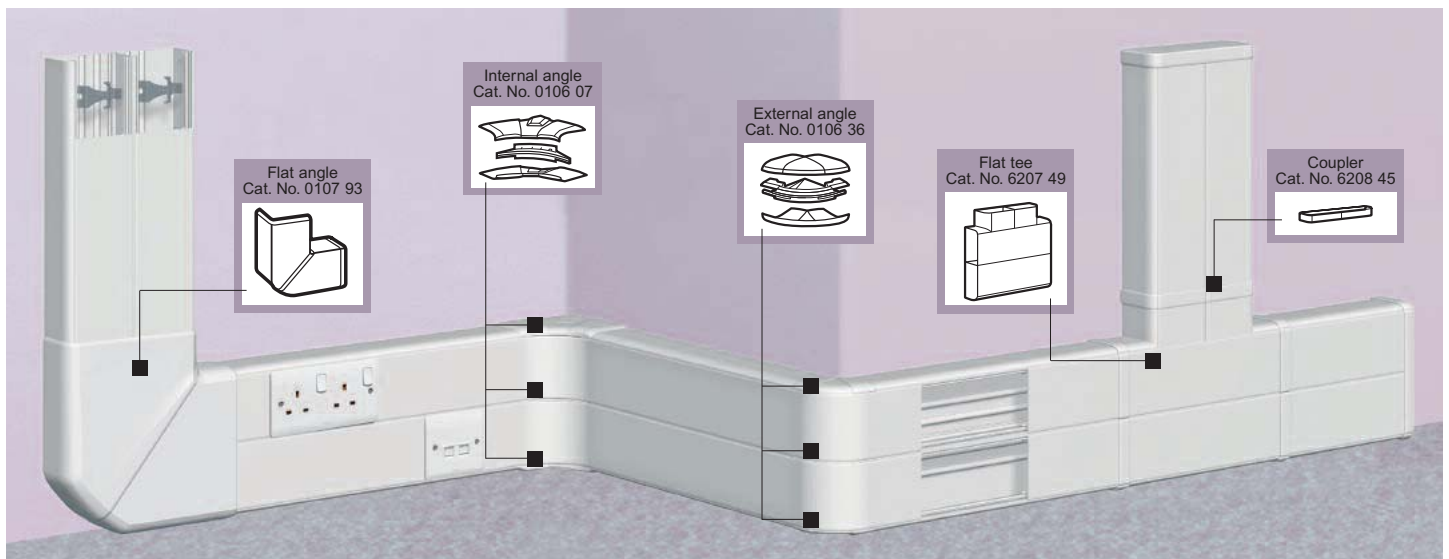


For common accessories, including back boxes, fixings and contrast frames to aid Part M compliance

see p. 21

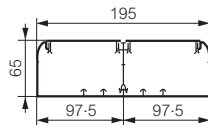
DLP Contour trunking - universal 195 x 65

2 compartment



Dimensions and technical information (p. 22-23)
Selection chart (p. 12-13)

Pack	Cat. Nos.	Trunking
2 x 3 m	6204 47	Material : high impact self-extinguishing PVC-U Colour : white RAL 9003 Length : 3 metres Lid width : 2 x 85 mm Trunking assembly 195 x 65 mm Body, lids and divider included, 3 m lengths
5	6208 45	Coupler Consists of body coupler and lid joint strip

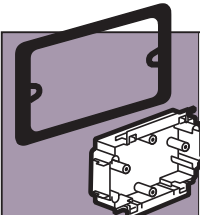


Pack	Cat. Nos.	Lid
8 x 3 m	6205 22	Spare flat lid – 85 mm

Pack	Cat. Nos.	Fittings
5	0107 07	End cap Supplied singly – for use as a right or left end cap
5	0106 07	Internal angle Variable 90° ± 5° Consists of top and bottom parts and divider
5	0106 36	External angle Variable 90° ± 5° Consists of top and bottom parts and divider
2	0107 93	Flat angle
1	6207 49	Flat tee
5	6207 60	Bridge for flat tee Allows complete separation of cables within the tee if cables need to cross over

Pack	Cat. Nos.	Accessories
24 x 2 m	0105 83	Spare clip-in PVC-U divider Enables internal segregation of cables within the large compartment
1	8218 40	Clip-in steel divider insert Provides extra screening. Supplied complete with earth couplers and screws Clips into PVC-U divider
1	8218 41	65 mm internal angle insert Provides extra screening For use with clip-in steel divider
1	8218 42	65 mm external angle insert Provides extra screening For use with clip-in steel divider

Pack	Cat. Nos.	Accessories for data cabling (VDI)
To be used on internal, external, flat angles and flat tees Respect bend radius for cables according to the EIA/TIA standards		
5	0107 80	Accessory for internal angle
5	0107 81	Accessory for external angle
5	0107 82	Accessory for flat angle
5	0107 83	Accessory for flat tee



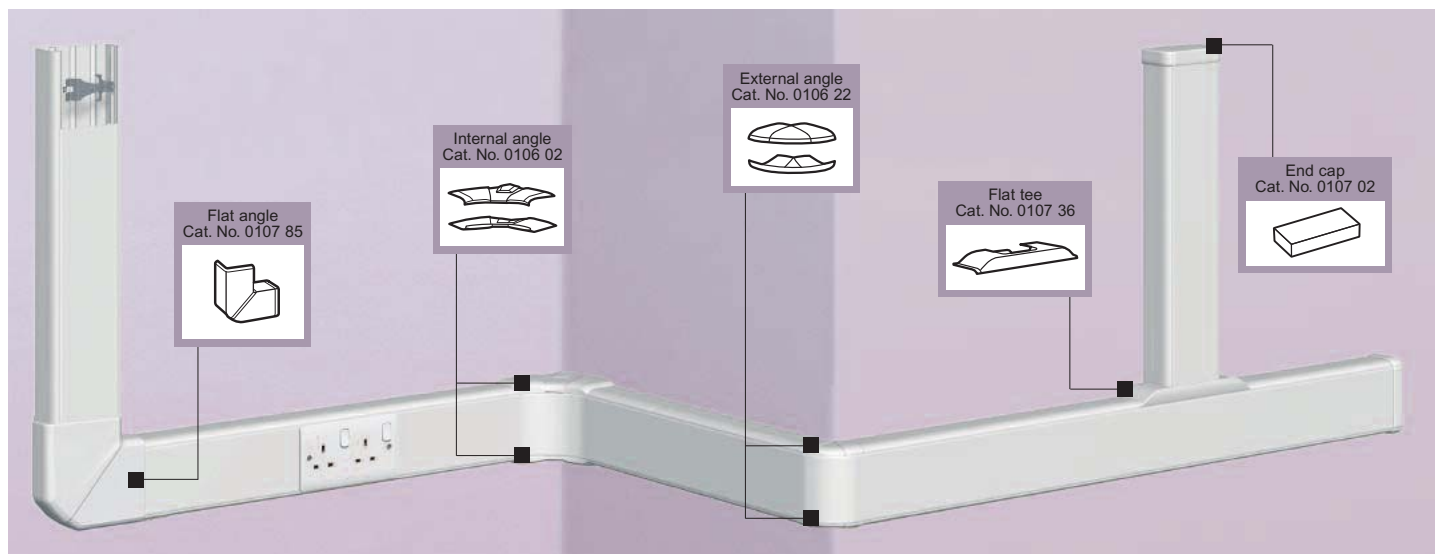
For common accessories, including back boxes, fixings and contrast frames to aid Part M compliance

see p. 21

2 METRE LENGTHS

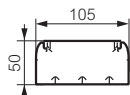
DLP Contour trunking - universal 105 x 50

1 compartment



Dimensions and technical information (p. 22-23)
Selection chart (p. 12-13)

Pack	Cat. Nos.	Trunking
8 x 2 m	0104 64	Material : high impact self-extinguishing PVC-U Colour : white RAL 9003 Length : 2 metres Lid width : 1 x 85 mm Trunking assembly 105 x 50 mm Body and lid included, 2 m lengths
5	6208 38	Coupler Consists of body coupler and lid joint strips



Pack	Cat. Nos.	Lid
10 x 2 m	0105 22	Spare flat lid – 85 mm

Pack	Cat. Nos.	Accessories
12 x 2 m	0105 82	Spare clip-in PVC-U divider Enables internal segregation of cables within the trunking

Pack	Cat. Nos.	Fittings
20	0107 02	End cap Supplied singly – for use as a right or left end cap
10	0106 02	Internal angle Variable 90° ± 5° Consists of top and bottom parts
10	0106 22	External angle Variable 90° ± 5° Consists of top and bottom parts
10	0107 85	Flat angle Variable 90° ± 2.5°
5	0107 36	Flat tee
5	6207 60	Bridge for flat tee Allows complete separation of cables within the tee if cables need to cross over
5	0107 63	50 mm angled tee Allows a tee junction in corner position Use with internal angle Cat. No. 0106 02

Pack	Cat. Nos.	Accessories for data cabling (VDI)
To be used on internal, external, flat angles and flat tees Respect bend radius for cables according to the EIA/TIA standards		
5	0107 80	Accessory for internal angle
5	0107 81	Accessory for external angle
5	0107 82	Accessory for flat angle
5	0107 83	Accessory for flat tee

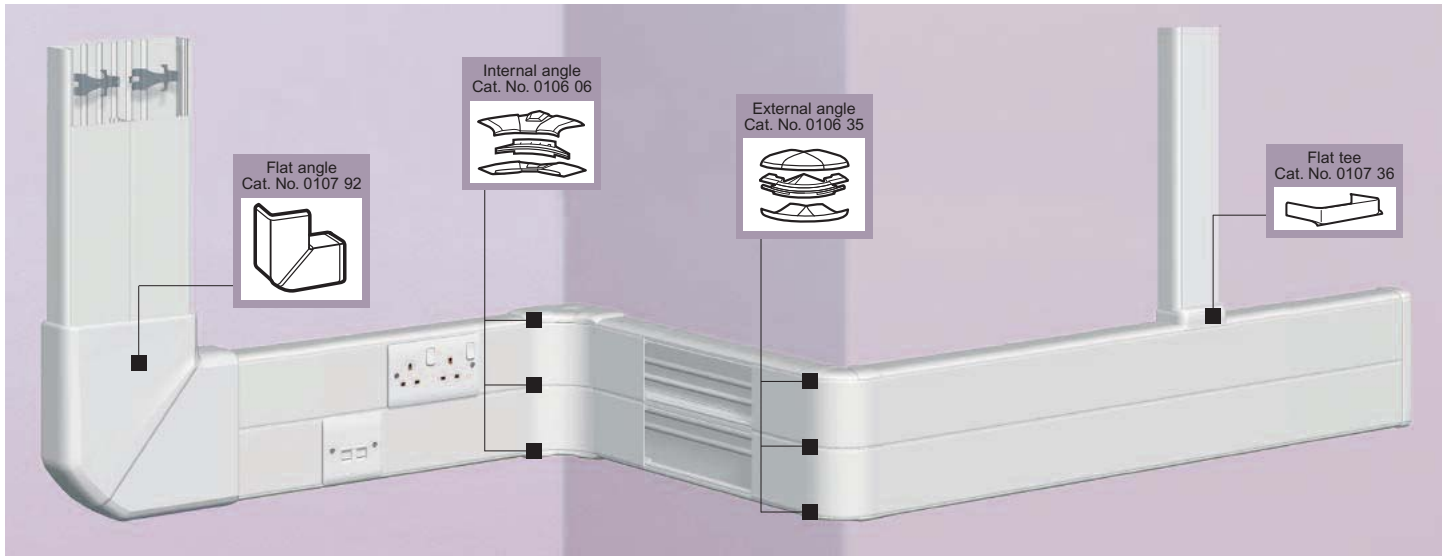
For common accessories, including back boxes, fixings and contrast frames to aid Part M compliance

see p. 21

DLP Contour trunking - universal 195 x 50

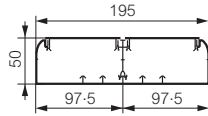
2 compartment

2 METRE LENGTHS



Dimensions and technical information (p. 22-23)
Selection chart (p. 12-13)

Pack	Cat. Nos.	Trunking
4 x 2 m	0104 70	Material : high impact self-extinguishing PVC-U Colour : white RAL 9003 Length : 2 metres Lid width : 2 x 85 mm Trunking assembly 195 x 50 mm Body, lids and divider included, 2 m lengths
5	6208 43	Coupler Consists of body coupler and lid joint strip

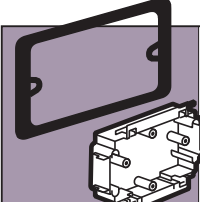


Pack	Cat. Nos.	Lid
10 x 2 m	0105 22	Spare flat lid – 85 mm

Pack	Cat. Nos.	Accessories
12 x 2 m	0105 82	Spare clip-in PVC-U divider Enables internal segregation of cables within the trunking

Pack	Cat. Nos.	Fittings
5	0107 11	End cap Supplied singly – for use as a right or left end cap
5	0106 06	Internal angle Variable 90° ± 5° Consists of top and bottom parts and divider
5	0106 35	External angle Variable 90° ± 5° Consists of top and bottom parts and divider
2	0107 92	Flat angle
5	0107 36	Flat tee
5	6207 60	Bridge for flat tee Allows complete separation of cables within the tee if cables need to cross over
5	0107 63	50 mm angled tee Allows a tee junction in corner position Use with internal angle Cat. No. 0106 06

Pack	Cat. Nos.	Accessories for data cabling (VDI)
5	0107 80	To be used on internal, external, flat angles and flat tees Respect bend radius for cables according to the EIA/TIA standards Accessory for internal angle
5	0107 81	Accessory for external angle
5	0107 82	Accessory for flat angle
5	0107 83	Accessory for flat tee



For common accessories, including back boxes, fixings and contrast frames to aid Part M compliance

see p. 21

DLP Contour trunking accessories



8218 47 Contrast frame



0308 97



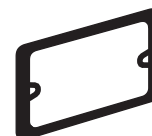
0106 95

*Dimensions and technical information (p. 22-23)
Selection chart (p. 12-13)*

Pack	Cat. Nos.	Accessories
50	0106 82	Cable retainer To be used on 40, 42 and 85 mm wide compartments 1 cable retainer for each compartment

Pack	Cat. Nos.	Back boxes
Moulded back boxes		
5	6208 16	1 gang – 25 mm deep
5	6208 26	1 gang – 35 mm deep
5	6208 17	2 gang – 25 mm deep
5	6208 27	2 gang – 35 mm deep
5	6208 29	Back box cable grip
Steel back boxes		
Ensures that enough space is available for cabling all types of data sockets Plain box : holes are knock-outs		
1	8218 43	50 mm 1 gang steel back box
1	8218 45	50 mm 2 gang steel back box
1	8218 44	50 mm 1 gang steel back box - vertical

Pack	Cat. Nos.	Contrast frames
1	8218 46	1 gang contrast frame
1	8218 47	2 gang contrast frame



Pack	Cat. Nos.	Fixing accessories for bodies
For fixing all DLP Contour profiles		
Wall plugs		
100	0308 99	For immediate fixing to plasterboard No screws or nails required
DLP rapid wall plug		
200	0308 97	For 10 mm min. plasterboard walls at least 20 mm away from the concrete surface For fixing DLP Contour trunking in a single operation Used with a special tool for drill (Ø 8 mm), supplied in each pack of 200 wall plugs Tensile resistance: 25 kg
Spit gun end cap		
100	0106 95	For rapid fixing of trunking with the Spit Pulsa 700E (use 20 mm Spit nails) For fixing to concrete, steel and other substrates



DLP Contour trunking

technical information

■ PVC-U White RAL 9003 : technical data

Physical

Properties	Unit of measure	Typical value
Density	g/cm ³	1.5 ^{+/-0.02}
Water absorption	%	0.05

Mechanical

Properties	Unit of measure	Typical value
Tensile strength	N/mm ²	36 ^{+/-4}
Charpy notched impact strength	KJ/m ²	8

Electrical

Properties	Unit of measure	Typical value
Surface resistivity	Ohm cm	>1 x 10 ¹⁵
Dielectric strength	kV/mm	30

Chemical resistance

Mineral acids, alkalines and detergents : excellent

Alcohols : good, but liable to attack from solvents such as ketones, aromatics and hydrocarbons

Material

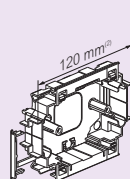
DLP Contour is manufactured from lead-free⁽¹⁾ PVC-U

■ Standards

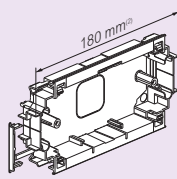
Conforms to BS EN 50085-2-1

6-2 According to resistance impact for installation and application	2.0 J
6-3 According to minimum temperatures for storage and transport	-25°C
6-3 According to minimum temperatures for installation and application	-5°C
6-3 According to maximum temperatures for application	+60°C
6-4 According to resistance to flame propagation	Non-flame propagating
6-5 According to electrical continuity characteristic	Without continuity
6-6 According to electrical insulating characteristics	Electrically insulating
6-7 According to degree of protection provided by enclosure	IP 40
6-9 According to system access cover retention	With a tool
6-101 According to position when surface mounted	Surface mounted on wall Surface mounted on ceiling Surface mounted on wall and supported by the floor
6-102 Functions obtained	Type 3 for installation trunking Type 2 for distribution trunking
Assigned tension	500 V
Protection against mechanical shock	IK 07

■ Back boxes



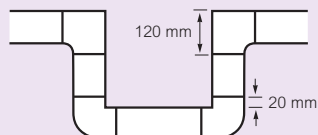
6208 16/6208 26
Fixing centres : 60.3 mm



6208 17/6208 27
Fixing centres : 120.6 mm

■ Around pillar installation

When fitting trunking around a pillar it is best to allow sufficient space between internal and external angles to ensure that the flexible lid stays firmly in place



■ Data cabling compliance

Providing that the installation is carried out correctly and data cables are installed to TIA/EIA-568-B standards, the range of DLP trunking is compliant with current data cabling requirements, including Cat 6 cabling. The 35 mm deep back boxes will accept most manufacturers' data sockets

(1) Less than 0.1% lead content in weight

(2) includes removable cable separators (2 x 7 mm)

Thermal

Properties	Unit of measure	Typical value
Vicat softening point	°C	81 ^{+/-2}
Operating temperatures	°C	-5°C to +60°C
Coefficient of linear expansion	°K ⁻¹	<6 x 10 ⁻⁵

Flammability

Properties	Unit of measure	Typical value
Oxygen index	%	50 ^{+/-5}
Premixed test flame – 1kW (application 60s/extinction 30s)		PASS
Glow wire test	°C	960

■ Cable capacity

195 x 50	150 x 50	195 x 50	105 x 50	150 x 50	195 x 50	195 x 65
6204 55	6204 58	6204 54	0104 64	6204 44	0104 70	6204 47
DADO	SKIRTING		UNIVERSAL			

Full capacity (mm²)

	Empty compartment	With 25 mm back box	With 35 mm back box
a	3900	2 130	1 510
b	1690	–	–
c	4 190	2 420	1 800
d	1690	–	–
e	2 050	–	–
f	4 300	2 530	1 910
g	3 940	2 170	1 550
h	1 920	–	–
i	5 310	3 540	2 920

Cable factor

	Type of conductor	Size	Cable factor
Data cables	Cat. 5e UTP	Ø 5.5 mm*	30.2
	Cat. 5e STP	Ø 6.0 mm*	36.0
	Cat. 6 UTP	Ø 6.5 mm*	42.2
	Cat. 6 STP	Ø 7.0 mm*	49.0

*typical values, check with manufacturer

For each size of cable multiply the number to be installed by its own factor. Add together the results for all cable sizes. The resulting sum should be equal or less than the trunking capacity. It is recommended that each compartment should not be filled over 45% of its full capacity

Cable capacities are shown in the tables below (number of cables at 45% full)

	Empty compartment				Compartment with 25 mm back box				Compartment with 35 mm back box			
	Cat 5e UTP	Cat 5e STP	Cat 6 UTP	Cat 6 STP	Cat 5e UTP	Cat 5e STP	Cat 6 UTP	Cat 6 STP	Cat 5e UTP	Cat 5e STP	Cat 6 UTP	Cat 6 STP
a	58	48	41	35	31	26	22	19	22	18	16	13
b	25	21	18	15	–	–	–	–	–	–	–	–
c	62	52	44	38	36	30	25	22	26	22	19	16
d	25	21	18	15	–	–	–	–	–	–	–	–
e	30	25	21	18	–	–	–	–	–	–	–	–
f	64	53	45	39	37	31	26	23	28	23	20	17
g	58	49	42	36	32	27	23	19	23	19	16	14
h	28	24	20	17	–	–	–	–	–	–	–	–
i	79	66	56	48	52	44	37	32	43	36	31	26

The Legrand logo is a registered trademark of the Legrand Group of companies.



Customer Services :

Tel : 0845 605 4333 Fax : 0845 605 4334
E-mail : legrand.sales@legrand.co.uk

Technical Support :

Tel : 0870 608 9020 Fax : 0870 608 9021
E-mail : technical.uk@legrand.co.uk

Head office :

Legrand Electric Limited
Great King Street North, Birmingham, B19 2LF
Tel : 0870 608 9000 Fax : 0870 608 9004
Website : www.legrand.co.uk

