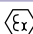


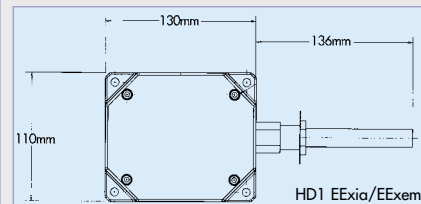
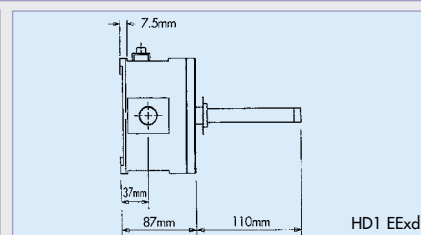
# Detectors, Control & Distribution

## HD1

## Heat Detector – Explosionproof & Intrinsically Safe



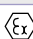
Certification	 ATEX, GOST 'R' & 'K', Chinese Flameproof Increased Safety Intrinsically Safe
Certified Ambient Temperature	-20°C to +125°C EExd (T3) ATEX/GOST 'R' -20°C to +55°C EExd (T6)/EEExm -55°C to +55°C EExia
Ingress Protection	IP66 & 67
Material	Marine Grade Alloy (EExd) Corrosion-free GRP (EExia/EEExm)
Temperature Settings	140°F to 725°F (60°C to 385°C)
Entries	2 x 20mm
Weight	1.1-2.0kg (model dependent)
Options: Enclosures, colour, tag and duty labels, temperature setting	

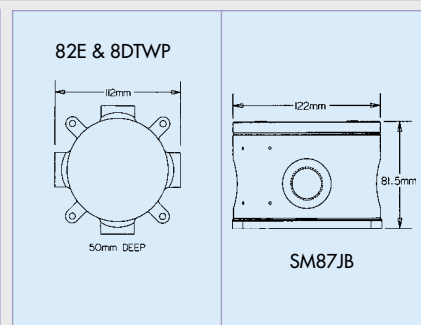


## 82E, 8DTWP, SM87JB

## Cast Iron Junction Boxes Explosionproof



Certification	 ATEX Flameproof Increased Safety
Certified Ambient Temperature	-20°C to +50°C
Ingress Protection	IP66 & 67
Material	Stainless Steel, Alloy or Cast Iron
Entries	Up to 4 x 20mm or 25mm
Weight	1.3-3.5kg (model dependent)
Options: Body colour, tag label, terminals	



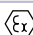

### Standard models. Available ex-stock.

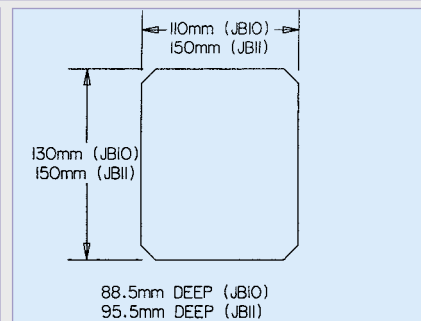
Certification	Ordering Code	Model	Standard Product Configuration
ATEX Ex II 2G	820005	82E	<b>Standard models have BK6 terminals, 4 x 20mm entries, 1 per face, cast iron painted grey.</b>
ATEX Ex II 2G	820010	SM87JB	

## JB10 & JB11

## GRP Junction Boxes – Explosionproof



Certification	 ATEX  US Increased Safety
Certified Ambient Temperature	-55°C to +55°C (model dependent)
Ingress Protection	IP66 & 67
Material	Corrosion-free GRP
Entries	Up to 8 side/4 base entries
Weight	1.1kg-1.8kg approx
Options: Body colour, tag label, terminals, external earth, gland continuity, LED, stainless steel fittings, side cable entries, high temp. version (up to +125°C)	



### Standard models. Available ex-stock.

Certification	Terminals	Ordering Code	Model	Standard Product Configuration
ATEX Ex II 2G	6 x SAK 2.5	810001	JB10	<b>Standard models have earth terminal, gland continuity, 4 x M20 entries, 1 on each face, natural black finish.</b>

Download data sheets from [www.medc.com](http://www.medc.com)

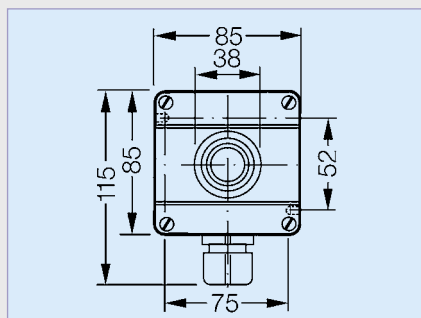
# Detectors, Control & Distribution

## GHG41181

### Control Units – Explosionproof



Certification	ATEX $\text{cULus}$
Increased Safety	ATEX Ex II 2GD, EExed IIC T6
Certified Ambient Temperature	-55°C to +55°C
Ingress Protection	IP65 & 66*
Material	Impact Resistant Thermo Plastic
Entries	1x M20 Bottom entry as standard
Weight	Approx. 0.5kg (model dependant)
Options: Pushbuttons, emergency stop, padlockable, contact block, rotary switches & block, potentiometer, lamps	



**Standard models. Available ex-stock.** \*Dependent on version

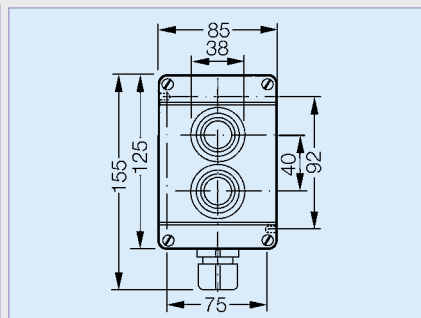
Certification	Description	Ordering Code	Standard Product Configuration
ATEX Ex II 2G	1 x Pushbutton Labels 1,0 Start Green	809102	<b>Standard models are in natural black finish, no tag or duty labels, 1 x M20 entry.</b>
ATEX Ex II 2G	Mushroom Head Latching Emergency Stop	809101	

## GHG 41182

### Control Units – Explosionproof



Certification	ATEX $\text{cULus}$
Increased Safety	ATEX Ex II 2GD, EExed IIC T6
Certified Ambient Temperature	-55°C to +55°C
Ingress Protection	IP65 & 66*
Material	Impact Resistant Thermo Plastic
Entries	1x M20 Bottom entry as standard
Weight	Approx. 0.5kg (model dependant)
Options: pushbuttons, emergency stop, contact block, padlockable, rotary switches & block, potentiometer, lamps	



**Standard models. Available ex-stock.** \*Dependent on version

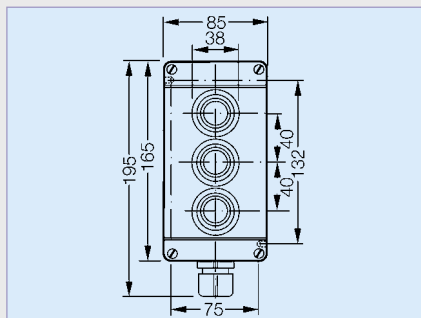
Certification	Description	Ordering Code	Standard Product Configuration
ATEX Ex II 2G	2 x Pushbuttons Labels 0,1 Start, Stop	809201	<b>Standard models are in natural black finish, no tag or duty labels, 1 x M20 entry.</b>
ATEX Ex II 2G	1 x Pushbutton Labels 1,0 Start Green, 1 x Mushroom Head Latching Emergency Stop	809202	

## GHG 41183

### Control Units – Explosionproof



Certification	ATEX $\text{cULus}$
Increased Safety	ATEX Ex II 2GD, EExed IIC T6
Certified Ambient Temperature	-55°C to +55°C
Ingress Protection	IP65 & 66*
Material	Impact Resistant Thermo Plastic
Entries	1x M20 Bottom entry as standard
Weight	Approx. 1.3kg (model dependant)
Options: pushbuttons, emergency stop, contact block, padlockable, rotary switches & block, potentiometer, lamps	



\*Dependent on version

# Detectors, Control & Distribution

## GHG 74 & 44 Range Terminal Boxes & Control Units – Explosionproof



\*Dependent on version

**A range of GRP or 316 Stainless Steel Terminal Boxes and Control Units. The Control Units can be fitted with a variety of lamps, switches, pushbuttons and other accessories.**

Certification	⊕ ATEX cULus			
Increased Safety	ATEX Ex II 2GD, EExe II T4/T6*			
Ingress Protection	IP65/66*			
Material	Corrosion-free GRP or 316 Stainless Steel			
Dimensions (mm):				
Box Type	Box Type	Width x Height x Depth*		
444 23	744 01	271	134	136
448 23	745 02	271	271	136
449 23	746 02	544	271	136
471 23	749 04	817	271	136
444 33	744 21	175	312.5	151
448 33	745 22	312.5	312.5	151
449 33	146 23	312.5	312.5	151
447 33	749 24	941.5	312.5	151

## GP1, 2 & 3, G2, JL Range Control Units & Motor Starters – Explosionproof



GP1 & 3 / GP1 & 3S



GP2 & GP4



JL & JLS



G2 & G2S

**A range of custom built control and motor starter units which can be used individually or combined to provide hazardous area systems for indoor or outdoor use.**

Certification	⊕ ATEX		
Flameproof	ATEX Ex II 2G, EExd		
Ingress Protection	IP65 & 66		
Material	Cast iron, Stainless Steel or Alloy		
Dimensions (mm):			
	Width	Height	Depth
GP1/GP1S	580	480	240
GP2/GP2S	480	275	243
GP3/GP3S	580	480	365
JL4/2/JL4/2S	305	265	150
JL4/3/JL4/3S	305	265	237
G2/G2S	156	257	175

## Distribution Panels & Boards – Explosionproof



**A range of custom built distribution systems utilising MEDC's expertise in hazardous area applications to ensure a safe and reliable solution to customer specifications.**

Certification	⊕ ATEX
Flameproof	ATEX Ex II 2G, EExd IIB
Ingress Protection	IP66
Material	Cast iron enclosures

Download data sheets from [www.medc.com](http://www.medc.com)