

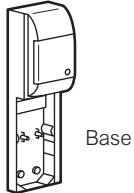
P 17 Tempra® IP 44, IP 55 and IP 66/67 self assembly combined units

IK 08 according to BS EN 62262 and IEC 62262

Self-extinguishing : 650 °C according to BS EN 60695-2-1 and IEC 60695-2-1
Temp. rating : -20 °C to +100 °C without protection device (switch only)

Technical information and dimensions (p. 40)

Example of composition



+



+



=



Note : Up to 9 socket units available on request

BASES FOR 125 x 220 MM FACEPLATES

16/32-63 A Surface mounting box		16/32-63 A 12 module rail		16/32-63 A 18 module rail	
Pack	Cat. Nos.	Pack	Cat. Nos.	Pack	Cat. Nos.
2	0577 10	1	0577 05	1	0577 06



125 x 220 MM FACEPLATES

16-32 A		63 A ⁽¹⁾		16 A	
Pack	Cat. Nos.	Pack	Cat. Nos.	Pack	Cat. Nos.
5	0577 15	5	0577 12	1	0577 17
				5	0577 13 ⁽²⁾



SOCKETS AND MODULE ADAPTOR FOR SELF ASSEMBLY COMBINED UNITS

Panel mounting sockets with modular fixing centres				Mosaic module adaptor	
IP 44		IP 66/67		IP 55	
Pack	Cat. Nos.	Pack	Cat. Nos.	Pack	Cat. Nos.
				8	0539 48

Mosaic module adaptor

ELV

20 to 25 V
50/60 Hz

16 A 2 P + \perp

5 0552 45

LV

100 to 130 V
50/60 Hz

16 A 2 P + \perp

5 0576 10

32 A 2 P + \perp

5 0576 08

200 to 250 V
50/60 Hz

16 A 2 P + \perp

10 0576 11

32 A 2 P + \perp

10 0576 12

380 to 415 V
50/60 Hz

16 A 3 P + \perp

10 0576 17

3 P + N + \perp

10 0576 23

32 A 3 P + \perp

10 0576 18

3 P + N + \perp

10 0576 24

63 A 3 P + \perp

2 0587 24⁽¹⁾

3 P + N + \perp

2 0587 25⁽¹⁾

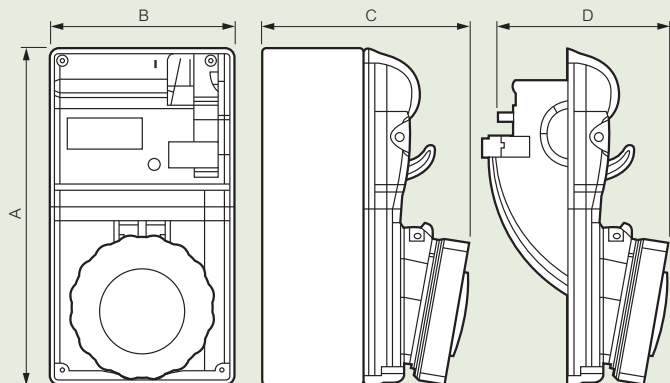
(1) Not modular 70 x 70 mm fixing centres, see p. 36 (2) Supplied with one blank plate

P 17 Tempra® IP 44, IP 55 and IP 66 combined units

plastic surface mounting 16/32/63 A

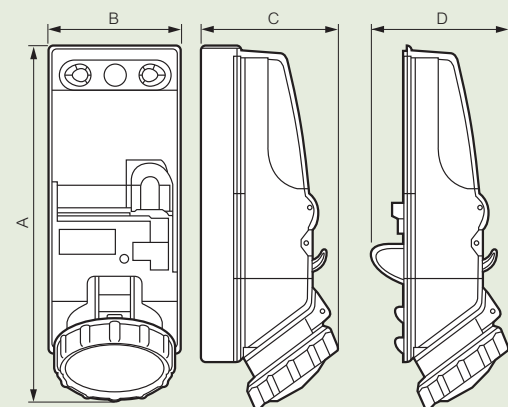
IP 44, IP 55, IP 66 according to BS EN 60529 and IEC 60529
IK 08 according to BS EN 62262 and IEC 62262
Switch ratings (p. 40)

■ Interlocked switched sockets without protection - IP 44/IP 55 LV 16/32 A (p. 37)



		IP 44 Cat. Nos.	A (mm)	B (mm)	C (mm)	D (mm)	IP 55 Cat. Nos.	A (mm)	B (mm)	C (mm)	D (mm)
LV 16 A	2 P+ ⊥	0566 00/01	220	125	127	122	0566 20/21	220	125	133	128
	3 P+ ⊥	0566 05	220	125	129	124	0566 25	220	125	134	129
	3 P+N+⊥	0566 06	220	125	130	125	0566 26	220	125	135	130
LV 32 A	2 P+ ⊥	0566 09	220	125	138	133	0566 29	220	125	143	138
	3 P+ ⊥	0566 13	220	125	138	133	0566 33	220	125	143	138
	3 P+N+⊥	0566 14	220	125	139	134	0566 34	220	125	144	139

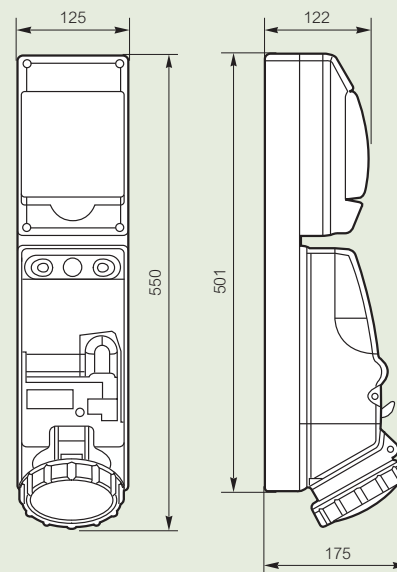
■ Interlocked switched sockets with DIN rail - IP 44/IP 66 LV 16/32 A (p. 37)



		IP 44 Cat. Nos.	A (mm)	B (mm)	C (mm)	D (mm)	IP 66 Cat. Nos.	A (mm)	B (mm)	C (mm)	D (mm)
LV 16 A	2 P+ ⊥	0566 40/41	290	125	155	135	0566 60/61	300	125	155	135
	3 P+ ⊥	0566 45	290	125	155	135	0566 65	300	125	155	135
	3 P+N+⊥	0566 46	290	125	155	135	0566 66	300	125	155	135
LV 32 A	2 P+ ⊥	0566 49	295	125	155	145	0566 69	310	125	155	145
	3 P+ ⊥	0566 53	295	125	155	145	0566 73	310	125	155	145
	3 P+N+⊥	0566 54	295	125	155	145	0566 74	310	125	155	145

■ Interlocked switched sockets with DIN rail - IP 66 LV 63 A (p. 37)

Cat. Nos. 0589 18/0572 99



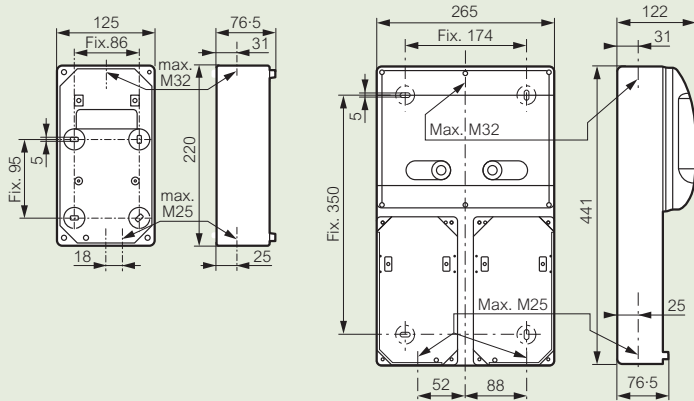
P 17 Tempra® IP 44, IP 55 and IP 66 combined units

plastic surface mounting 16/32/63 A (continued)

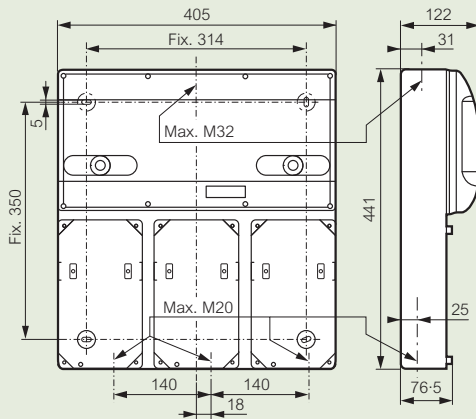
■ Box and bases without DIN rail (p. 38)

Box Cat. No. 0577 10

Base Cat. No. 0577 05



Base Cat. No. 0577 06

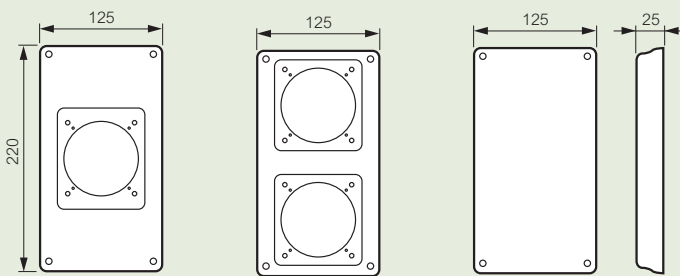


■ Faceplates modular fixing centre sockets (p. 38)

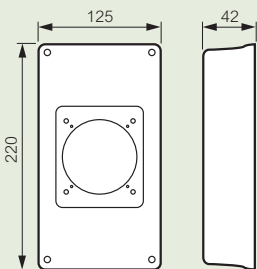
Cat. No. 0577 12

Cat. No. 0577 13

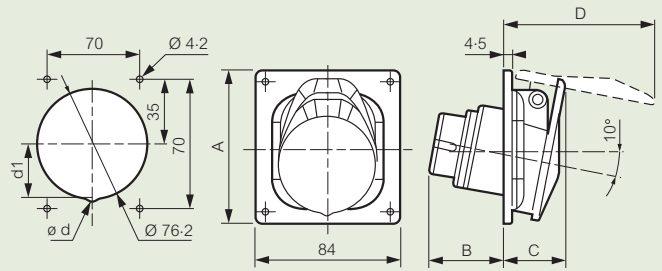
Cat. No. 0577 15



Cat. No. 0577 17

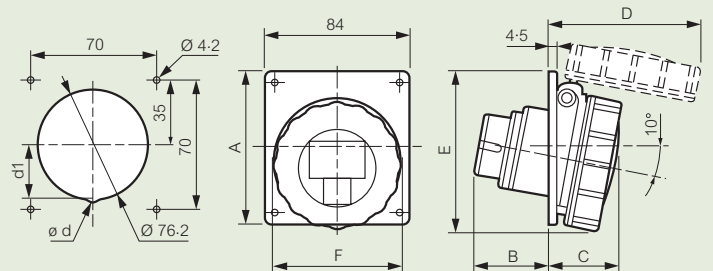


■ LV 16/32 A - IP 44 with modular fixing centres (p. 38)



		Cat. Nos.	Material	Weight (Kg)	A (mm)	B (mm)	C (mm)	D (mm)	ød (mm)	d1 (mm)
16 A	2 P + ⊥	0576 10/11	Plastic	0-110	84	42	33	83.5	-	-
	3 P + ⊥	0576 17	Plastic	0-140	84	43	34.5	91.3	-	-
	3 P + N + ⊥	0576 23	Plastic	0-165	84	43	36.5	100	-	-
32 A	2 P + ⊥	0576 12	Plastic	0-220	94	54	44	112	-	-
	3 P + ⊥	0576 18								
	3 P + N + ⊥	0576 24	Plastic	0-255	94	54	45	120	8	36

■ LV 16/32 A - IP 66/7 with modular fixing centres (p. 38)



		Cat. Nos.	Material	Weight (Kg)	A (mm)	B (mm)	C (mm)	D (mm)	E (mm)	F (mm)	ød (mm)	d1 (mm)
16 A	2 P + ⊥	0576 50/51	Plastic	0-140	84	42	39	83	90	72.5	-	-
	3 P + ⊥	0576 57	Plastic	0-165	84	43	41	98	93	81	-	-
	3 P + N + ⊥	0576 63	Plastic	0-195	84	43	41	99	91	86.5	-	-
32 A	2 P + ⊥	0576 52	Plastic	0-240	94	54	50	113	101	94.5	-	-
	3 P + ⊥	0576 58										
	3 P + N + ⊥	0576 64	Plastic	0-270	94	54	51	120	103	101	8	36

■ P 17 switch ratings (p. 37)

Usage category	400 V ~ 3 phase		
	16 A	32 A	63 A
AC23	8.4 kW	16.8 kW	
AC22			33 kW
AC23B			33 kW