


P 17 Tempra® IP 44 and IP 66/67 plastic plugs and sockets

ELV 16 A and LV 16 to 125 A

IP 44 - ELV 16 A and LV 16/32 A

Conform to : BS EN 60309-1, BS EN 60309-2, IEC 60309-1 and IEC 60309-2 IK 09
 Self-extinguishing : 850 °C for insulated parts (650 °C for housing and cover)
 Temp. rating : -25 °C to +40 °C



 *Technical information, entries and dimensions (p. 32-34)*

Surface mounting sockets inclined ⁽¹⁾	Surface mounting sockets	Panel mounting sockets		Straight plugs	Mobile sockets	Appliance inlets ⁽³⁾
		Inclined modular ⁽²⁾	Straight small flange			

ELV

20 to 25 V 50/60 Hz	16 A	2 P		0552 06	0552 45	0552 11	0552 21	0552 31	
		3 P		0552 07			0552 22		


LV

100 to 130 V 50/60 Hz	16 A	2 P + ⊥	0555 50 ⁽¹⁾	0553 50	0576 10	0573 51	0574 31 ⁽¹⁾	0575 11 ⁽¹⁾	0575 81
		3 P + ⊥		0553 51				0574 22	0575 02
	32 A	2 P + ⊥		0553 70	0576 08		0581 21	0582 01	
		2 P + ⊥	0555 53 ⁽¹⁾	0553 53	0576 11	0573 54	0574 34 ⁽¹⁾	0575 14 ⁽¹⁾	0575 84
200 to 250 V 50/60 Hz	32 A	2 P + ⊥	0555 73 ⁽¹⁾		0576 12		0581 34 ⁽¹⁾	0582 14 ⁽¹⁾	0582 84
		2 P + ⊥							
380 to 415 V 50/60 Hz	16 A	3 P + ⊥	0555 57 ⁽¹⁾	0553 57	0576 17	0573 58	0574 38 ⁽¹⁾	0575 18 ⁽¹⁾	0575 88
		3 P + N + ⊥	0555 58 ⁽¹⁾	0553 58	0576 23	0573 59	0574 39 ⁽¹⁾	0575 19 ⁽¹⁾	0575 89
	32 A	3 P + ⊥	0555 77 ⁽¹⁾	0553 77	0576 18	0580 58	0581 38 ⁽¹⁾	0582 18 ⁽¹⁾	0582 88
		3 P + N + ⊥	0555 78 ⁽¹⁾	0553 78	0576 24	0580 59	0581 39 ⁽¹⁾	0582 19 ⁽¹⁾	0582 89

IP 66/67 - LV 16 to 125 A

Conform to : BS EN 60309-1, BS EN 60309-2, IEC 60309-1 and IEC 60309-2 IK 09
 Self-extinguishing : 850 °C for insulated parts (650 °C for housing and cover)
 Temp. rating : -25 °C to +40 °C
 63 A / 125 A units have a pilot pin



 *Technical information, entries and dimensions (p. 35-36)*

Surface mounting sockets	Panel mounting sockets		Straight plugs	Mobile sockets	Appliance inlets ⁽³⁾
	Inclined	Inclined modular ⁽²⁾			

LV

100 to 130 V 50/60 Hz	16 A	2 P + ⊥	0553 00		0576 50	0563 00	0562 00	
200 to 250 V 50/60 Hz	16 A	2 P + ⊥	0553 03		0576 51	0563 03	0562 03	0568 03
		2 P + ⊥	0553 23		0576 52	0563 23	0562 23	0568 23
	63 A	2 P + ⊥	0587 40	0587 20		0587 00	0587 10	0587 30
380 to 415 V 50/60 Hz	16 A	3 P + ⊥	0553 07		0576 57	0563 07	0562 07	0568 07
		3 P + N + ⊥	0553 08		0576 63	0563 08	0562 08	0568 08
	32 A	3 P + ⊥	0553 27		0576 58	0563 27	0562 27	0568 27
		3 P + N + ⊥	0553 28		0576 64	0563 28	0562 28	0568 28
	63 A	3 P + ⊥	0587 44	0587 24		0587 04	0587 14	0587 34
		3 P + N + ⊥	0587 45	0587 25		0587 05	0587 15	0587 35
		3 P + ⊥	0591 06	0591 16		0591 26	0591 36	
		3 P + N + ⊥	0591 07	0591 17		0591 27	0591 37	0591 47

For voltages/arrangements not listed in this table, please contact us on 0845 605 4333

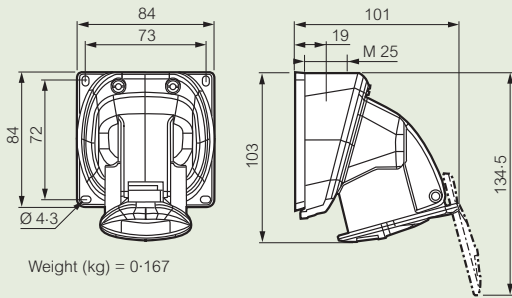
(1) New model (2) 70 x 70 mm fixing centres (modular) (3) Appliance inlet covers, see p. 13 and 34
 For pack quantities, please refer to our current Legrand trade price list

P 17 Tempra® IP 44 - ELV 16 A

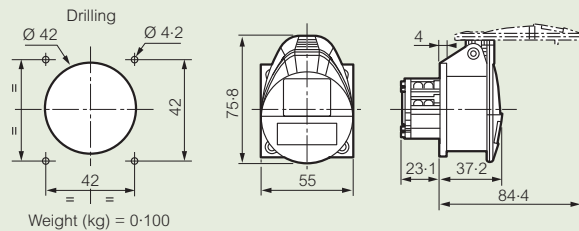
plastic

IP 44 conforms to BS EN 60529 and IEC 60529
IK 09 conforms to BS EN 62262 and IEC 62262

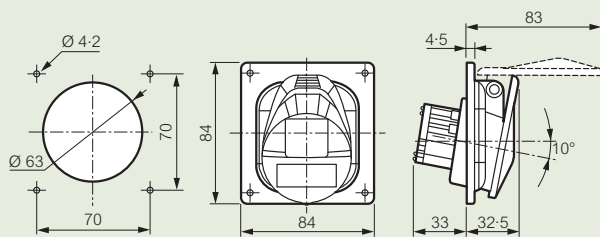
■ Surface mounting sockets (ELV) (p. 31)



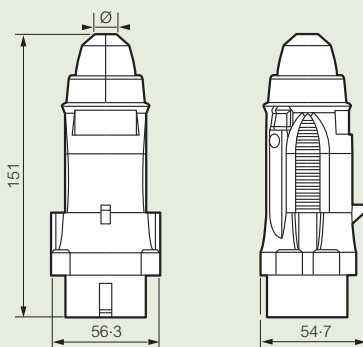
■ Panel mounting sockets (ELV) - small flange (p. 31)



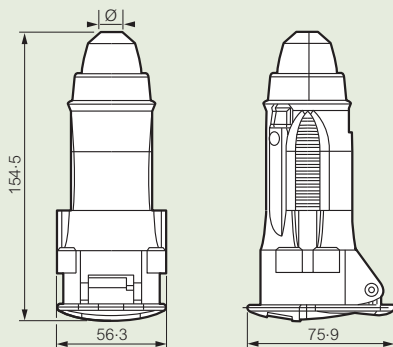
■ Panel mounting sockets (ELV) - inclined modular (p. 31)



■ Straight plugs (ELV) - with membrane gland (p. 31)



■ Mobile sockets (ELV) - with membrane gland (p. 31)



■ P 17 Tempra IP 44 - ELV terminal capacity

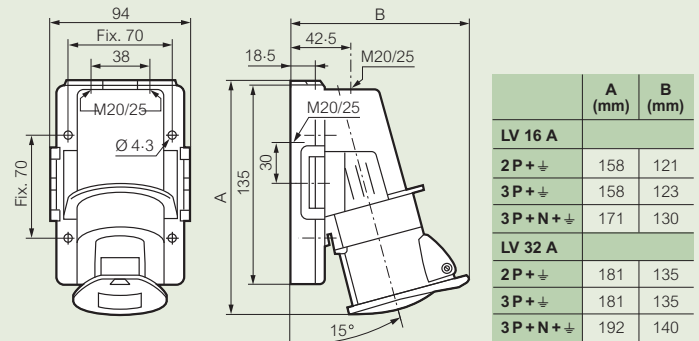
1 x 10 mm² max. rigid or flexible cable (min. 4mm²)

P 17 Tempra® IP 44 - LV 16 and 32 A

plastic

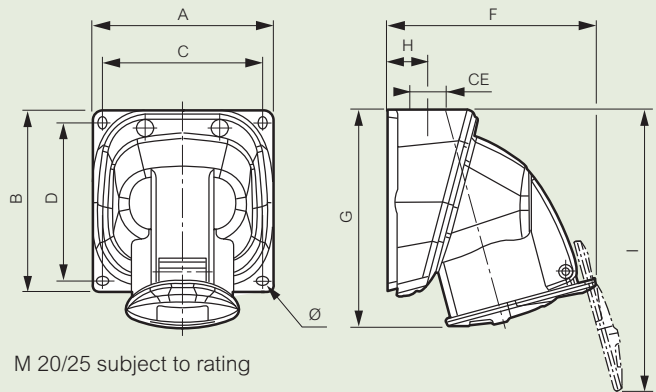
IP 44 conforms to BS EN 60529 and IEC 60529
IK 09 conforms to BS EN 62262 and IEC 62262

■ Surface mounting sockets - new design (p. 31)



M 20/25 dual knockout entry

■ Surface mounting sockets - original design (p. 31)



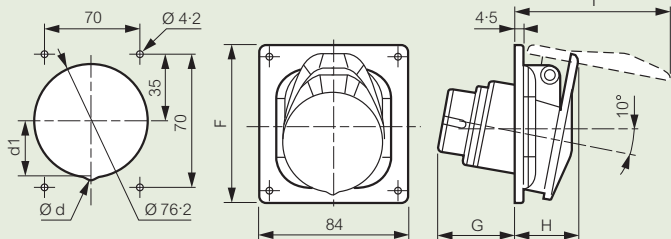
	Weight (kg)	A (mm)	B (mm)	C (mm)	D (mm)	F (mm)	G (mm)	H (mm)	I (mm)	CE (mm)	Ø (mm)
LV 16 A											
2 P+±	0.185	84	84	73	72	103	103.5	20	134	M20	4.3
3 P+±	0.244	100	100	88	87	115	120	24	156	M20	4.3
3 P+N+±	0.269	100	100	88	87	118.5	121	24	162	M20	4.3
LV 32 A											
2 P+±	0.356	110	110	98	97	135	162	30	174	M25	5.3
3 P+±	0.356	110	110	98	97	135	162	30	174	M25	5.3
3 P+N+±	0.397	110	110	98	97	137	162.5	30	178	M25	5.3

P 17 Tempra® IP 44 - LV 16 and 32 A

plastic (continued)

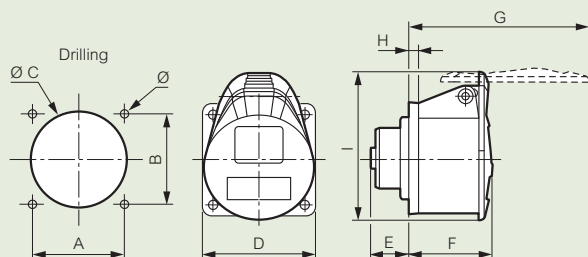
IP 44 conforms to BS EN 60529 and IEC 60529
IK 09 conforms to BS EN 62262 and IEC 62262

■ **Panel mounting sockets** - with modular fixing centres 70 x 70 mm (p. 31)



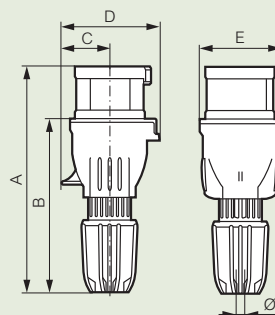
	Weight (kg)	Ød (mm)	d1 (mm)	F (mm)	G (mm)	H (mm)	I (mm)
LV 16 A							
2P+±	0-110	-	-	84	42	33	83-5
3P+±	0-140	-	-	84	43	34-5	91-3
3P+N+±	0-165	-	-	84	43	36-5	100
LV 32 A							
2P+±	0-220	-	-	94	54	44	112
3P+±	0-255	8	36	94	54	45	120

■ **Straight panel mounting socket** - small flange (p. 31)



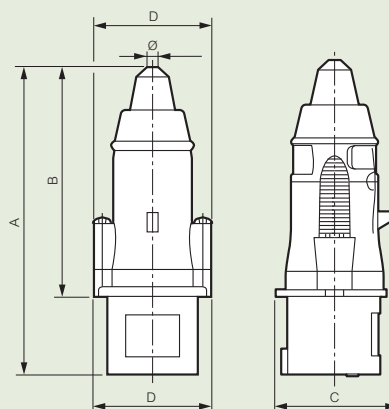
	Weight (kg)	A (mm)	B (mm)	ØC (mm)	D (mm)	E (mm)	F (mm)	G (mm)	H (mm)	I (mm)	Ø (mm)
LV 16 A											
2P+±	0-105	47	47	47	58	22-4	50	98-5	5-5	78-5	5-5
3P+±	0-127	52	52	55	65	22-4	50-5	104	5-5	85-6	5-5
3P+N+±	0-148	52	52	55	70	22-4	51	113	5-5	93-5	5-5
LV 32 A											
3P+±	0-197	60	60	57-1	75	31-4	61-3	127	5-5	97-5	5-5
3P+N+±	0-246	60	60	63-5	77	31-4	61-7	134	5-5	104-5	5-5

■ **Straight plugs** - new design with twist clamp and membrane gland
Screwless body assembly (p. 31)



	Weight (kg)	A (mm)	B (mm)	C (mm)	D (mm)	E (mm)	Ø clamping and grip (mm)
LV 16 A							
2P+±	0-122	143 to 159	106 to 122	30	65	56	8 to 14
3P+±	0-150	143 to 159	106 to 122	34	69	56	8 to 14
3P+N+±	0-177	152 to 168	115 to 131	38	78	65	10 to 18
LV 32 A							
2P+±	0-217	161 to 177	115 to 131	39	79	65	10 to 18
3P+±	0-234	161 to 177	115 to 131	39	79	65	12 to 20
3P+N+±	0-276	167 to 181	121 to 135	45	88	72	14 to 21

■ **Straight plugs** - with membrane gland (p. 31)



	Weight (kg)	A (mm)	B (mm)	C (mm)	D (mm)	Ø clamping and grip (mm)
LV 16 A						
2P+±	0-122	147	111	57	55	8 to 15-5
3P+±	0-150	154	118	65	60	8 to 15-5
3P+N+±	0-177	164	128	73	66	8 to 15-5
LV 32 A						
2P+±	0-217	179	134	78	70-5	11-5 to 22
3P+±	0-234	179	134	78	70-5	11-5 to 22
3P+N+±	0-276	189	144	86	77	11-5 to 22

■ **P 17 Tempra IP 44 - LV max. terminal capacity**

Sockets: 16 A - 1 x 4 mm² rigid cable
32 A - 1 x 10 mm² rigid cable

Plugs/Mobile sockets: 16 A - 1 x 2.5 mm² flexible cable
32 A - 1 x 6 mm² flexible cable

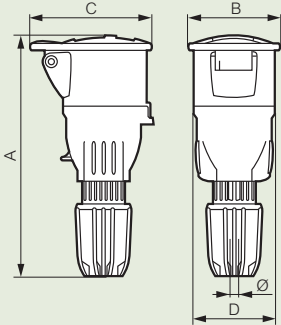
Appliance inlets: 16 A - 1 x 2.5 mm² rigid cable
32 A - 1 x 6 mm² rigid cable

P 17 Tempra® IP 44 - LV 16 and 32 A

plastic (continued)

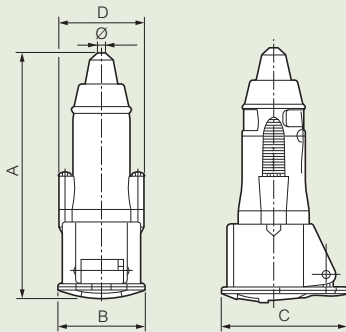
IP 44 conforms to BS EN 60529 and IEC 60529
IK 09 conforms to BS EN 62262 and IEC 62262

■ **Mobile sockets** - new design with twist clamp and membrane gland
Screwless body assembly (p. 31)



	Weight (kg)	A (mm)	B (mm)	C (mm)	D (mm)	Ø clamping and grip (mm)
LV 16 A						
2P+⊥	0-150	153 to 169	55	78	56	8 to 14
3P+⊥	0-179	153 to 169	62	85	56	8 to 14
3P+N+⊥	0-212	164 to 180	70	94	65	10 to 18
LV 32 A						
2P+⊥	0-240	174 to 190	71	98	65	10 to 18
3P+⊥	0-265	174 to 190	71	98	65	12 to 20
3P+N+⊥	0-305	177 to 191	77	101	72	14 to 21

■ **Mobile sockets** - with membrane gland (p. 31)

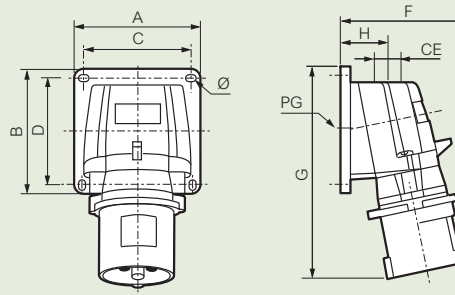


	Weight (kg)	A (mm)	B (mm)	C (mm)	D (mm)	Ø clamping and grip (mm)
LV 16 A						
2P+⊥	0-150	155	55	78-5	55	8 to 15-5
3P+⊥	0-179	162	61-5	85	60	8 to 15-5
3P+N+⊥	0-212	170	69	93-5	66	8 to 15-5
LV 32 A						
2P+⊥	0-240	189	69	97-5	70-5	11-5 to 22
3P+⊥	0-265	191	71	97-5	70-5	11-5 to 22
3P+N+⊥	0-305	197	77	124	77	11-5 to 22

■ **P 17 Tempra IP 44 - LV max. terminal capacity**

- Sockets:** 16 A - 1 x 4 mm² rigid cable
32 A - 1 x 10 mm² rigid cable
- Plugs/Mobile sockets:** 16 A - 1 x 2.5 mm² flexible cable
32 A - 1 x 6 mm² flexible cable
- Appliance inlets:** 16 A - 1 x 2.5 mm² rigid cable
32 A - 1 x 6 mm² rigid cable

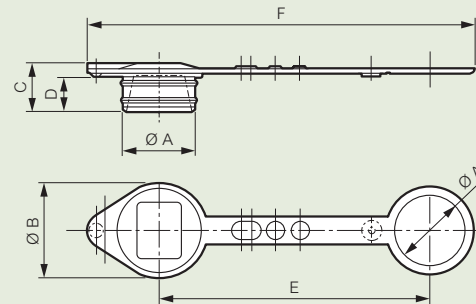
■ **Appliance inlets** (p. 31)



	Weight (kg)	A (mm)	B (mm)	C (mm)	D (mm)	F (mm)	G (mm)	H (mm)	CE (mm)	Ø clamping and grip (mm)
LV 16 A										
2P+⊥	0-168	84	84	72	72	77	126	34	M20	4-3
3P+⊥	0-232	84	84	72	72	84	134	34	M20	4-3
3P+N+⊥	0-256	84	84	72	72	91	141	34	M20	4-3
LV 32 A										
2P+⊥	0-325	110	110	98	98	96	168	39	M25	5-3
3P+⊥	0-325	110	110	98	98	96	168	39	M25	5-3
3P+N+⊥	0-364	110	110	98	98	102	168	39	M25	5-3

■ **Appliance inlet covers** (p. 13)

16/32/63 A

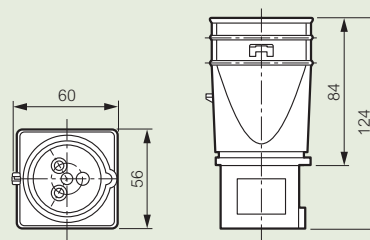


Cat. Nos.	Product	Ø A (mm)	Ø B (mm)	C (mm)	D (mm)	E (mm)	F (mm)
0521 25	16 A - 2 P+⊥	38	50	26	18	140	200
0521 26	16 A - 3 P+⊥	43	55	26	18	150	215
0521 27	16 A - 3 P+N+⊥ 32 A - 2 P+⊥, 3 P+⊥	50	62	26	18	160	232
0527 99	32 A - 3 P+N+⊥	56	68	26	18	167	248
0536 99	63 A - 2 P+⊥, 3 P+⊥, 3 P+N+⊥	62	74	26	18	205	290

■ **Adaptor from IEC to BS** (p. 13)

Cat. No. 0521 01

16 A 2 P+⊥ 230 V plug to 13 A 3 pin BS socket

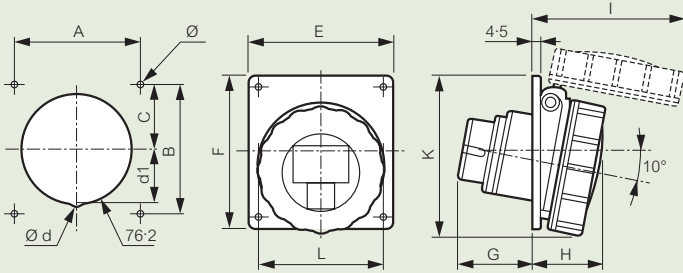


P 17 Tempra® IP 66/67 - LV 16 and 32 A

plastic

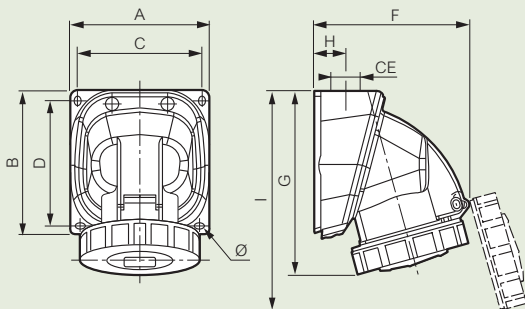
IP 66/67 conforms to BS EN 60529 and IEC 60529
IK 09 conforms to BS EN 62262 and IEC 62262

■ Panel mounting sockets - with modular fixing centres 70 x 70 mm (p. 31)



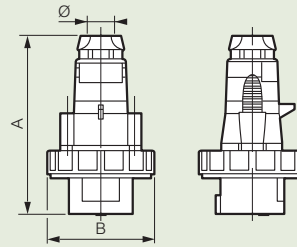
	Weight (kg)	A (mm)	B (mm)	C (mm)	Ød (mm)	d1 (mm)	E (mm)	F (mm)	G (mm)	H (mm)	I (mm)	K (mm)	L (mm)	Ø (mm)
LV 16 A														
2 P+±	0.140	70	70	35	-	-	84	84	42	39	83	90	72.5	4.2
3 P+±	0.165	70	70	35	-	-	84	84	43	41	98	93	81	4.2
3 P+N+±	0.195	70	70	35	-	-	84	84	43	41	99	91	86.5	4.2
LV 32 A														
2 P+±	0.240	70	70	35	-	-	84	94	54	50	113	101	94.5	4.2
3 P+±	0.195	70	70	35	8	36	84	94	54	51	120	103	101	4.2

■ Surface mounting sockets (p. 31)



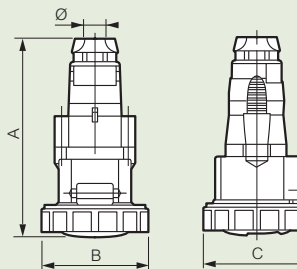
	Weight (kg)	A (mm)	B (mm)	C (mm)	D (mm)	F (mm)	G (mm)	H (mm)	I (mm)	CE (mm)	Ø (mm)
LV 16 A											
2 P+±	0.230	84	84	73	72	94	112	20	130	M20	4.3
3 P+±	0.289	100	100	88	87	108	128	24	154	M20	4.3
3 P+N+±	0.317	100	100	88	87	110	129	24	157	M20	4.3
LV 32 A											
2 P+±	0.425	110	110	98	97	126	146	30	175	M25	5.3
3 P+±	0.425	110	110	98	97	126	146	30	175	M25	5.3
3 P+N+±	0.467	110	110	98	97	136	170.5	30	205	M25	5.3

■ Straight plugs (p. 31)



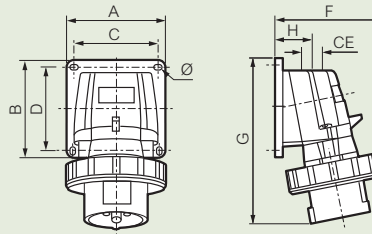
	Weight (kg)	A (mm)	B (mm)	Ø clamping and grip (mm)
LV 16 A				
2 P+±	0.180	122	72.5	8 to 14
3 P+±	0.215	126	81	8 to 14
3 P+N+±	0.275	142	86.5	10 to 17.5
LV 32 A				
2 P+±	0.320	152	94.5	10 to 17.5
3 P+±	0.320	152	94.5	12 to 21.5
3 P+N+±	0.387	158	101	12 to 21.5

■ Mobile sockets (p. 31)



	Weight (kg)	A (mm)	B (mm)	C (mm)	Ø clamping and grip (mm)
LV 16 A					
2 P+±	0.180	139	72.5	78.5	8 to 14
3 P+±	0.215	144	81	89.5	8 to 14
3 P+N+±	0.275	160	86.5	92	10 to 17.5
LV 32 A					
2 P+±	0.320	171	94.5	103	10 to 17.5
3 P+±	0.320	171	94.5	103	12 to 21.5
3 P+N+±	0.387	177	101	109	12 to 21.5

■ Appliance inlets (p. 31)



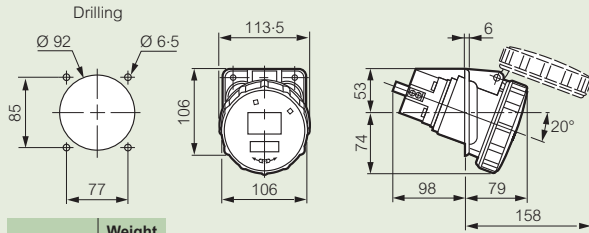
	Weight (kg)	A/B (mm)	C/D (mm)	F (mm)	G (mm)	H (mm)	CE (mm)	Ø clamping and grip (mm)
LV 16 A								
2 P+±	0.188	84	72	87	126	34	M20	4.3
3 P+±	0.257	84	72	95	134	34	M20	4.3
3 P+N+±	0.297	84	72	100	141	34	M20	4.3
LV 32 A								
2 P+±	0.370	110	98	107	168	39	M25	5.3
3 P+±	0.370	110	98	107	168	39	M25	5.3
3 P+N+±	0.413	110	98	113	168	39	M25	5.3

P 17 Tempra® IP 66/67 - LV 63 A

plastic

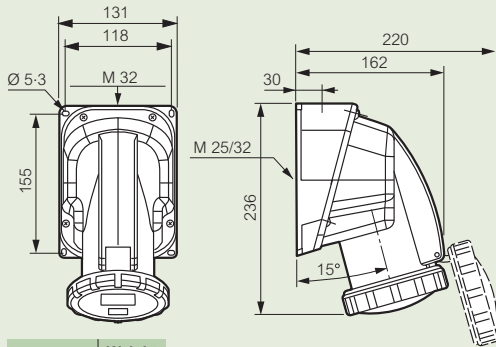
IP 66/67 conforms to BS EN 60529 and IEC 60529
Sockets IK 09 conform to BS EN 62262 and IEC 62262

■ Panel mounting sockets - inclined outlet (p. 31, 38)



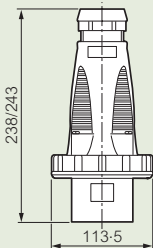
	Weight (kg)
3 P + ⊕	0.71
3 P + N + ⊕	0.77

■ Surface mounting sockets (p. 31)

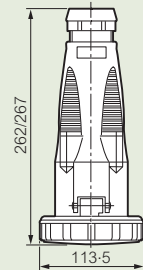


	Weight (kg)
3 P + ⊕	0.90
3 P + N + ⊕	0.95

■ Straight plugs (p. 31)

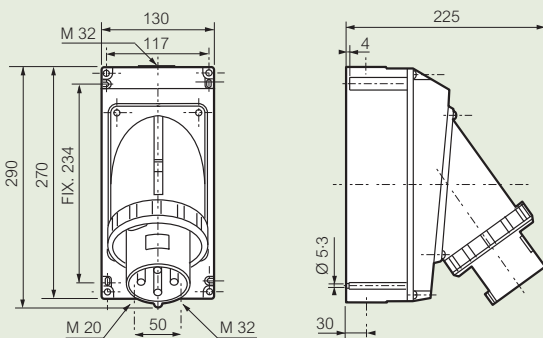


■ Mobile sockets (p. 31)



	Ø clamping and grip (mm)	Weight (kg)	
		Straight plugs	Mobile sockets
3 P + ⊕	19.3 to 28.5	0.57	0.78
3 P + N + ⊕	21.3 to 31.3	0.64	0.85

■ Appliance inlets (p. 31)



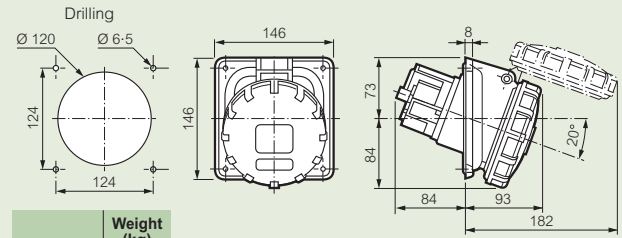
	Weight (kg)
3 P + ⊕	1.54
3 P + N + ⊕	1.61

P 17 Tempra® IP 66/67 - LV 125 A

plastic

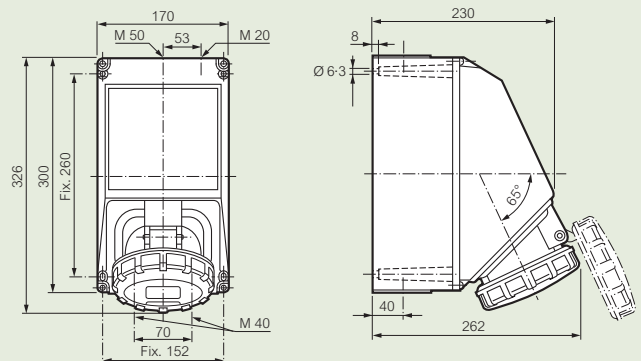
IP 66/67 conforms to BS EN 60529 and IEC 60529
Sockets IK 09 conform to BS EN 62262 and IEC 62262

■ Panel mounting sockets - inclined outlet (p. 31)



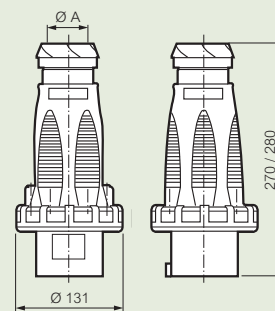
	Weight (kg)
3 P + ⊕	1
3 P + N + ⊕	1.2

■ Surface mounting sockets (p. 31)



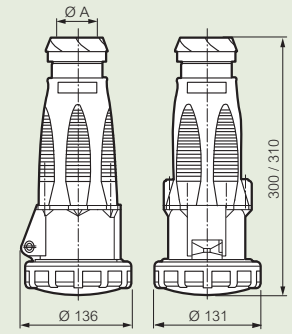
	Weight (kg)
3 P + ⊕	2.6
3 P + N + ⊕	2.73

■ Straight plugs (p. 31)



	Weight (kg)	Ø A clamping and grip (mm)
3 P + ⊕	1.1	26 to 43
3 P + N + ⊕	1.22	28.5

■ Mobile sockets (p. 31)



	Weight (kg)	Ø A clamping and grip (mm)
3 P + ⊕	1.4	26 to 43
3 P + N + ⊕	1.53	28.5

■ Appliance inlets (p. 31)

