

Aluminium enclosures

The enclosures of the Klippon® K series can be used for a variety of applications, e.g. for mounting terminals, switches, power supplies, operational and display elements or electronic subassemblies.

Features:

- 19 sizes in 2 versions
- Mounting holes located outside of the sealed area
- Threaded holes for mounting rails and mounting plates

Our assembly service can supply these enclosures preassembled with terminals and cable glands according to customer requirements.



Technical data	Standard	ATEX
Material	High-quality aluminium alloy (Al-Si12)	High-quality aluminium alloy (Al-Si12)
Surface, untreated	Smooth	Smooth
Surface, painted	Silver-grey textured, similar to RAL 7001	
Paint	40 µm paint thickness	
Gasket	Chloroprene CR (Silicone optional)	Chloroprene CR (Silicone optional)
Cover fastener	Captive stainless steel slotted / crosshead screws	Captive stainless steel slotted / crosshead screws
Earthing external		Stainless steel earthing stud M4
Protection class	IP 66, IP 67 and IP 68	IP 66 and IP 67
Impact resistance	10 J	7 J
Temperature range	-40 °C to +80 °C	-40 °C to +80 °C (☒ silicone -50 °C to +135 °C)

Note: Heli-coil inserts and aluminium Torx screws are available on request.

Approvals

KEMA 02ATEX2088 U

☒ II 2 GD Ex e II IP 66/IP67

KEMA 00ATEX8501 X

☒ II 2 GD Ex e II T6/T3 IP66/IP67

☒ II 1 GD Ex ia IIC T6/T3 IP66/IP67

☒ II 2 (1) GD Ex e[ia] IIG T6/T3 IP66/IP67

cULus E197061

Overview of enclosures

Type H x W x D	45 x 50 x 30	58 x 64 x 34	64 x 98 x 34	70 x 70 x 45	80 x 75 x 57	70 x 100 x 45	80 x 125 x 57
Untreated, standard	0573200000	1565240000	1565250000	0342000000	0573300000	0342100000	0573400000
Untreated, for hazardous areas (Ex)	9526810000	9526820000	9526830000	9526840000	9526850000	9526860000	9526870000
Painted, standard	9529080000	9529100000	9529110000	9529120000	9529130000	9529140000	9529150000
Type H x W x D	70 x 165 x 45	80 x 175 x 57	80 x 250 x 55	82 x 130 x 72	120 x 122 x 81	130 x 170 x 90	120 x 220 x 81
Untreated, standard	0342200000	0573500000	1565260000	0342300000	1565270000	0342400000	1565280000
Untreated, for hazardous areas (Ex)	9526880000	9526890000	9526900000	9526910000	9526920000	9526930000	9526940000
Painted, standard	9529160000	9529170000	9529180000	9529180000	9529200000	9529210000	9529220000
Type H x W x D	160 x 160 x 91	160 x 200 x 100	160 x 260 x 91	160 x 350 x 100	230 x 280 x 111		
Untreated, standard	1565290000	0342500000	0573600000	0342600000	0573700000		
Untreated, for hazardous areas (Ex)	9526950000	9526960000	9526970000	9526980000	9526990000		
Painted, standard	9529230000	9529240000	9529250000	9529260000	9529270000		

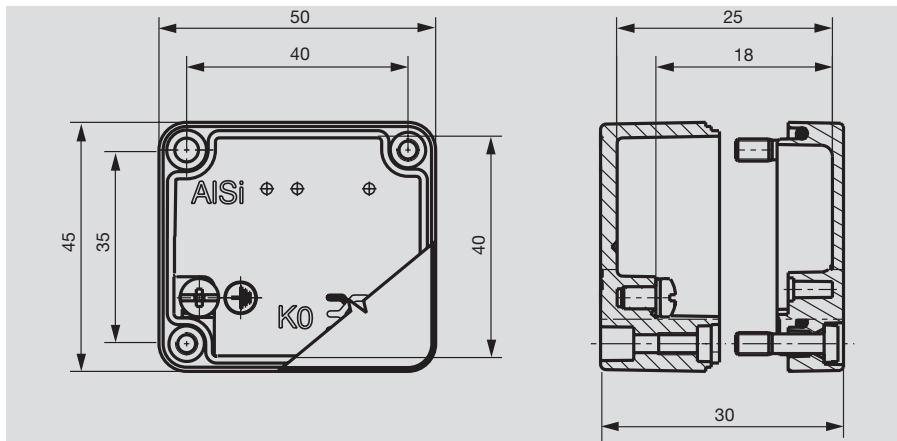
Note: Please specify ambient temperature of application when ordering and also note gasket material (e.g. -50 °C / silicone gasket)

Diecast aluminium enclosure



Height x Width x Depth mm
 Weight g

K 0



45 x 50 x 30
 65

Ordering data

natural finish	standard	Order No.
Enclosure for hazardous areas (Ex)		0573200000
0573200000		9526810000
painted, RAL 7001	standard	Order No.
		9529090000

Note Please state the ambient temperature of the enclosure when ordering (e.g. -50°C/silicone seal).

Accessories

Terminal rail, set	Order No.
Earth bar, set	
Bus bar 10 x 3 mm, set	
Mounting plate	
Spacer, M5 x 8, set of 2	
Hinges, diecast aluminium, set	
Mounting feet, set of 4	

Note Sets also include any fixings necessary

Technical data

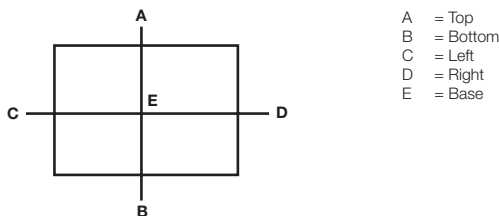
Terminal content	vertical	horizontal
	2.5 mm	*
	4 mm	
	6 mm	
	10 mm	
	16 mm	

Note * Please use BK terminals for these enclosures. Also refer to our terminals catalogue.

Max. number of cable entries per enclosure side **

	A / B	C / D
	M 12	1
	M 16	1
	M 20	
	M 25	
	M 32	
	M 40	
	M 50	
	M 63	

Enclosure sides - ID



Note ** Our IP68 brass cable glands serve as a reference for these recommended values.

Klippon® K - Aluminium enclosures

Diecast aluminium enclosure



Height x Width x Depth mm
64 x 58 x 34

Weight g
120

Ordering data

natural finish	standard	Order No.
		1565240000
Enclosure for hazardous areas (Ex)		9526820000
painting, RAL 7001	standard	Order No.
		9529100000

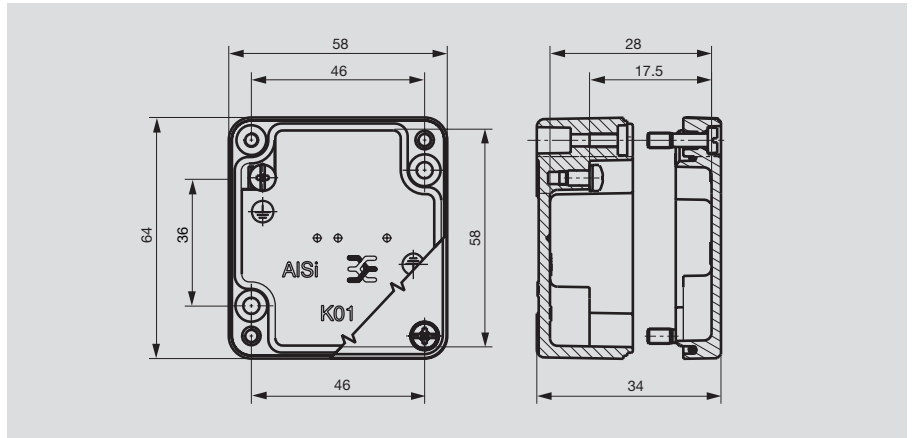
Note Please state the ambient temperature of the enclosure when ordering (e.g. -50°C/silicone seal).

Accessories

Terminal rail, set	Order No.
Earth bar, set	
Bus bar 10 x 3 mm, set	
Mounting plate	
Spacer, M5 x 8, set of 2	
Hinges, diecast aluminium, set	
Mounting feet, set of 4	

Note Sets also include any fixings necessary

K 01



64 x 58 x 34
120

Technical data

Terminal content	vertical	horizontal
	2.5 mm	*
	4 mm	
	6 mm	
	10 mm	
	16 mm	

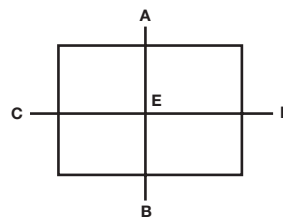
Note

* Please use BK terminals for these enclosures. Also refer to our terminals catalogue.

Max. number of cable entries per enclosure side **

	A / B	C / D
	M 12	1
	M 16	1
	M 20	
	M 25	
	M 32	
	M 40	
	M 50	
	M 63	

Enclosure sides - ID



A = Top
B = Bottom
C = Left
D = Right
E = Base

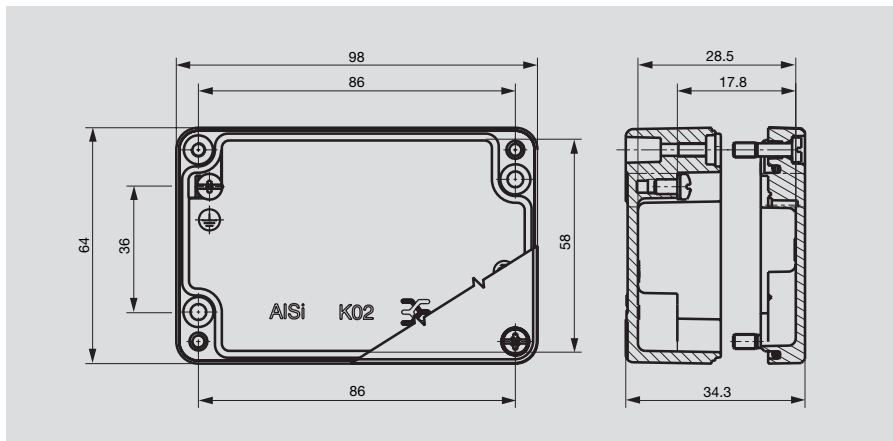
Note ** Our IP68 brass cable glands serve as a reference for these recommended values.

Diecast aluminium enclosure



Height x Width x Depth mm
 Weight g

K 02



64 x 98 x 34
 200

Ordering data

natural finish	standard	Order No. 1565250000
Enclosure for hazardous areas (Ex)		9526830000
painted, RAL 7001	standard	Order No. 9529110000

Note Please state the ambient temperature of the enclosure when ordering (e.g. -50°C/silicone seal).

Accessories

Terminal rail, set	Order No.
Earth bar, set	
Bus bar 10 x 3 mm, set	
Mounting plate	
Spacer, M5 x 8, set of 2	
Hinges, diecast aluminium, set	
Mounting feet, set of 4	

Note Sets also include any fixings necessary

Technical data

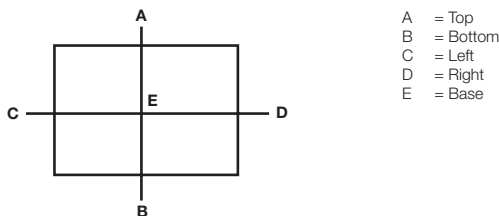
Terminal content	vertical	horizontal
	2.5 mm	*
	4 mm	
	6 mm	
	10 mm	
	16 mm	

Note * Please use BK terminals for these enclosures. Also refer to our terminals catalogue.

Max. number of cable entries per enclosure side **

	A / B	C / D
	M 12	1
	M 16	1
	M 20	3
	M 25	3
	M 32	
	M 40	
	M 50	
	M 63	

Enclosure sides - ID



Note ** Our IP68 brass cable glands serve as a reference for these recommended values.

Klippon® K - Aluminium enclosures

Diecast aluminium enclosure



Height x Width x Depth mm
70 x 70 x 45

Weight g
220

Ordering data

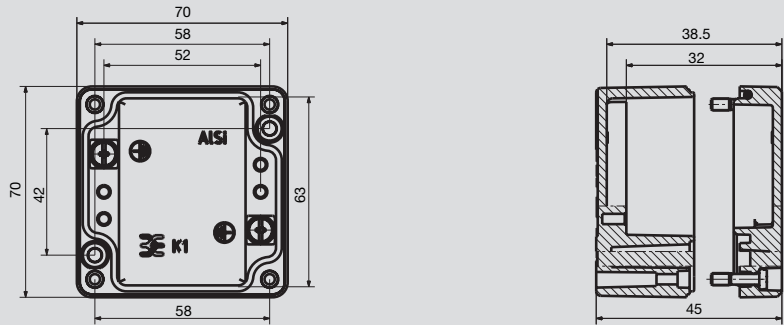
natural finish	standard	Order No.
		0342000000
Enclosure for hazardous areas (Ex)		9526840000
painted, RAL 7001	standard	Order No.
		9529120000
Note Please state the ambient temperature of the enclosure when ordering (e.g. -50°C/silicone seal).		

Accessories

Terminal rail, set	15 mm wide	Order No.
		1909980000
Earth bar, set		
Bus bar 10 x 3 mm, set		
Mounting plate	sheet steel, galvanised	Order No.
		1905280000
Spacer, M5 x 8, set of 2		
Hinges, diecast aluminium, set		
Mounting feet, set of 4		

Note Sets also include any fixings necessary

K 1



70 x 70 x 45
220

Technical data

Terminal content	vertical	horizontal
	2.5 mm	*
	4 mm	
	6 mm	
	10 mm	
	16 mm	

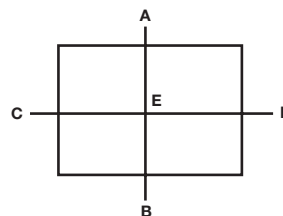
Note

* Please use AKZ or BK terminals for these enclosures. Also refer to our terminals catalogue.

Max. number of cable entries per enclosure side **

	A / B	C / D
	M 12	2
	M 16	2
	M 20	1
	M 25	
	M 32	
	M 40	
	M 50	
	M 63	

Enclosure sides - ID



A = Top
B = Bottom
C = Left
D = Right
E = Base

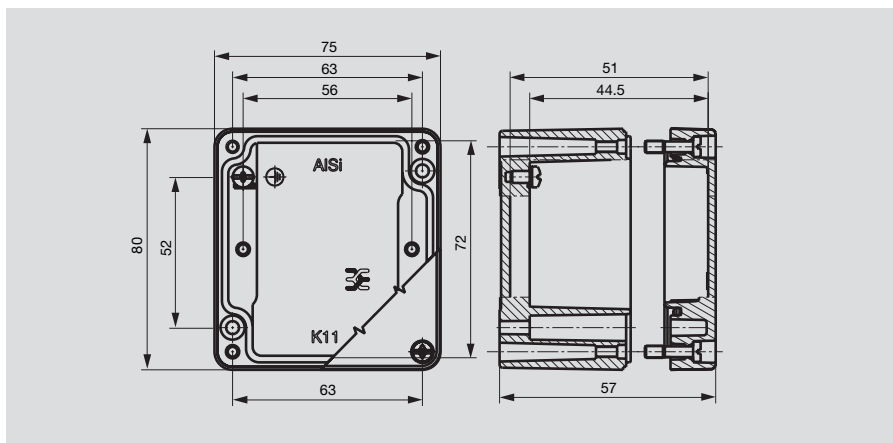
Note ** Our IP68 brass cable glands serve as a reference for these recommended values.

Diecast aluminium enclosure



Height x Width x Depth mm
 Weight g

K 11



80 x 75 x 57
 280

Ordering data

natural finish	standard	Order No. 0573300000
Enclosure for hazardous areas (Ex)		9526850000
painted, RAL 7001	standard	Order No. 9529130000

Note Please state the ambient temperature of the enclosure when ordering (e.g. -50°C/silicone seal).

Accessories

Terminal rail, set	15 mm wide	Order No. 1909990000
Earth bar, set		
Bus bar 10 x 3 mm, set		
Mounting plate	sheet steel, galvanised	Order No. 3073000000
Spacer, M5 x 8, set of 2		
Hinges, diecast aluminium, set		Order No. 1580360000
Mounting feet, set of 4		

Note Sets also include any fixings necessary. 1 hinge per long side

Technical data

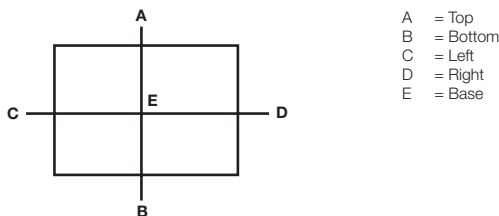
Terminal content	vertical	horizontal
	2.5 mm	1x5
	4 mm	1x4
	6 mm	
	10 mm	
	16 mm	

Note * Please use AKZ or BK terminals for these enclosures. Also refer to our terminals catalogue.

Max. number of cable entries per enclosure side **

	A / B	C / D
M 12	2	2
M 16	2	2
M 20	1	1
M 25	1	
M 32		
M 40		
M 50		
M 63		

Enclosure sides - ID



Note ** Our IP68 brass cable glands serve as a reference for these recommended values.

Klippon® K - Aluminium enclosures

Diecast aluminium enclosure



Height x Width x Depth mm
70 x 100 x 45

Weight g
280

Ordering data

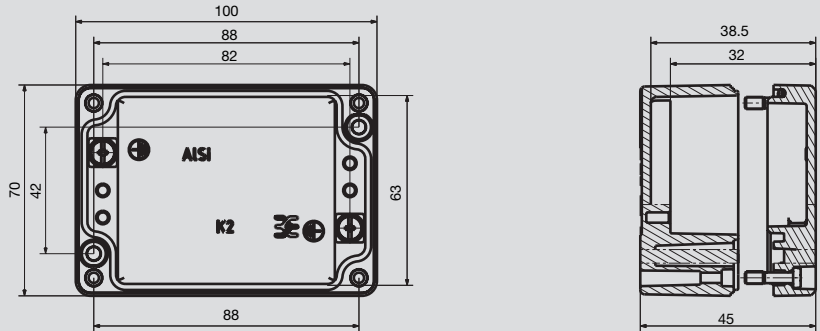
natural finish	standard	Order No.
		0342100000
Enclosure for hazardous areas (Ex)		9526860000
Painted, RAL 7001	standard	Order No.
		9529140000
Note Please state the ambient temperature of the enclosure when ordering (e.g. -50°C/silicone seal).		

Accessories

Terminal rail, set	15 mm wide	Order No.
		1910010000
Earth bar, set		
Bus bar 10 x 3 mm, set		
Mounting plate	sheet steel, galvanised	Order No.
		1905270000
Spacer, M5 x 8, set of 2		
Hinges, diecast aluminium, set		
Mounting feet, set of 4		

Note Sets also include any fixings necessary

K 2



70 x 100 x 45
280

Technical data

Terminal content	vertical	horizontal
	2.5 mm	*
	4 mm	1x10
	6 mm	
	10 mm	
	16 mm	

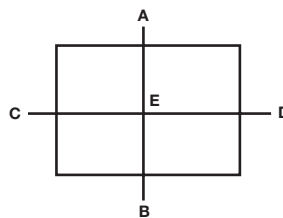
Note

* Please use AKZ or BK terminals for these enclosures. Also refer to our terminals catalogue.

Max. number of cable entries per enclosure side **

	A / B	C / D
	M 12	3
	M 16	3
	M 20	2
	M 25	
	M 32	
	M 40	
	M 50	
	M 63	

Enclosure sides - ID



A = Top
B = Bottom
C = Left
D = Right
E = Base

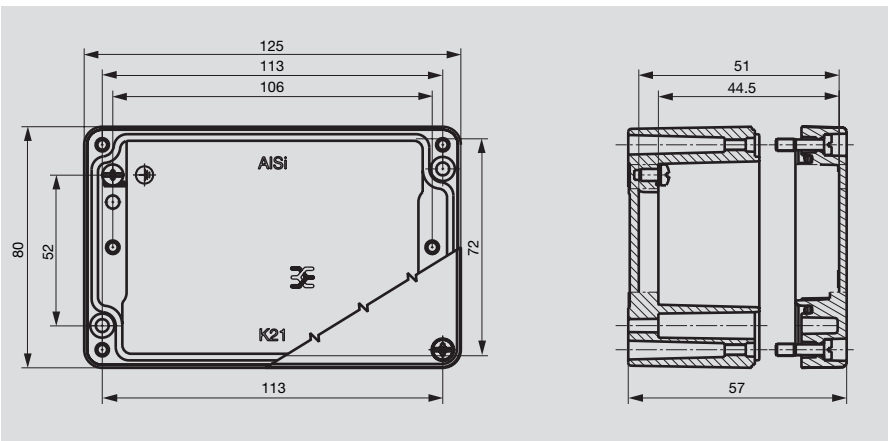
Note ** Our IP68 brass cable glands serve as a reference for these recommended values.

Diecast aluminium enclosure



Height x Width x Depth mm
 Weight g

K 21



80 x 125 x 57 mm
 400 g

Ordering data

natural finish	standard	Order No. 0573400000
Enclosure for hazardous areas (Ex)		9526870000
painted, RAL 7001	standard	Order No. 9529150000
Note Please state the ambient temperature of the enclosure when ordering (e.g. -50°C/silicone seal).		

Accessories

Terminal rail, set	15 mm wide	Order No. 1910020000
Earth bar, set		
Bus bar 10 x 3 mm, set		
Mounting plate	sheet steel, galvanised	Order No. 3073020000
Spacer, M5 x 8, set of 2		
Hinges, diecast aluminium, set		Order No. 1580360000
Mounting feet, set of 4		

Note Sets also include any fixings necessary. 1 hinge per long side

Technical data

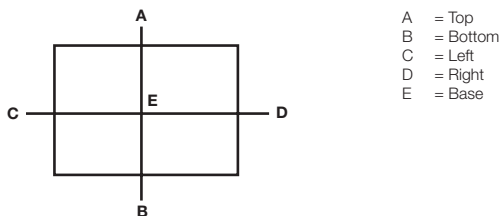
Terminal content	vertical	horizontal
	2.5 mm	1x15
	4 mm	1x12
	6 mm	
	10 mm	
	16 mm	

Note * Please use AKZ or BK terminals for these enclosures. Also refer to our terminals catalogue.

Max. number of cable entries per enclosure side **

	A / B	C / D
M 12	6	2
M 16	4	2
M 20	3	1
M 25	2	
M 32		
M 40		
M 50		
M 63		

Enclosure sides - ID



Note ** Our IP68 brass cable glands serve as a reference for these recommended values.

Klippon® K - Aluminium enclosures

Diecast aluminium enclosure



Height x Width x Depth mm
70 x 165 x 45

Weight g
400

Ordering data

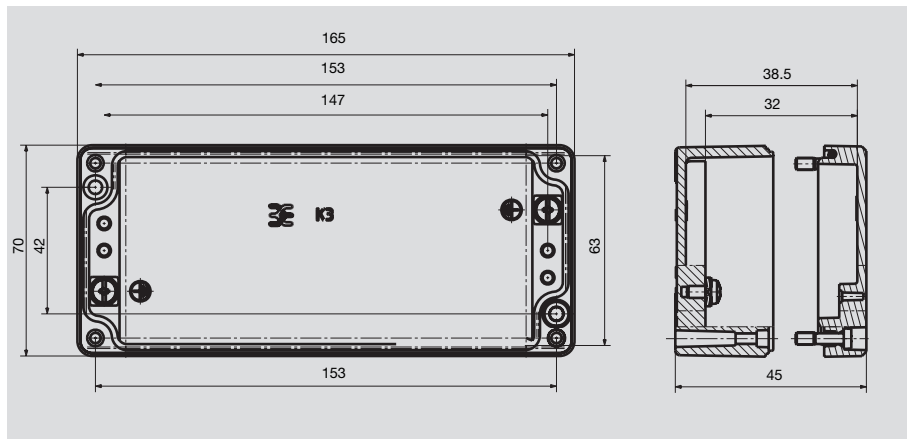
natural finish	standard	Order No.
		0342200000
Enclosure for hazardous areas (Ex)		9526880000
Painted, RAL 7001	standard	Order No.
		9529160000
Note Please state the ambient temperature of the enclosure when ordering (e.g. -50°C/silicone seal).		

Accessories

Terminal rail, set	15 mm wide	Order No.
		1910030000
Earth bar, set		
Bus bar 10 x 3 mm, set		
Mounting plate		
	sheet steel, galvanised	1898210000
	angled (deep)	1899630000
Spacer, M5 x 8, set of 2		
Hinges, diecast aluminium, set		
Mounting feet, set of 4		


Note Sets also include any fixings necessary

K 3



70 x 165 x 45
400


Technical data

Terminal content	vertical	horizontal
	2.5 mm	*
	4 mm	1x22
	6 mm	
	10 mm	
	16 mm	

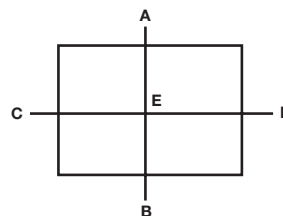
Note

* Please use AKZ or BK terminals for these enclosures. Also refer to our terminals catalogue.

Max. number of cable entries per enclosure side **

	A / B	C / D
	M 12	6
	M 16	5
	M 20	4
	M 25	
	M 32	
	M 40	
	M 50	
	M 63	

Enclosure sides - ID



A = Top
B = Bottom
C = Left
D = Right
E = Base

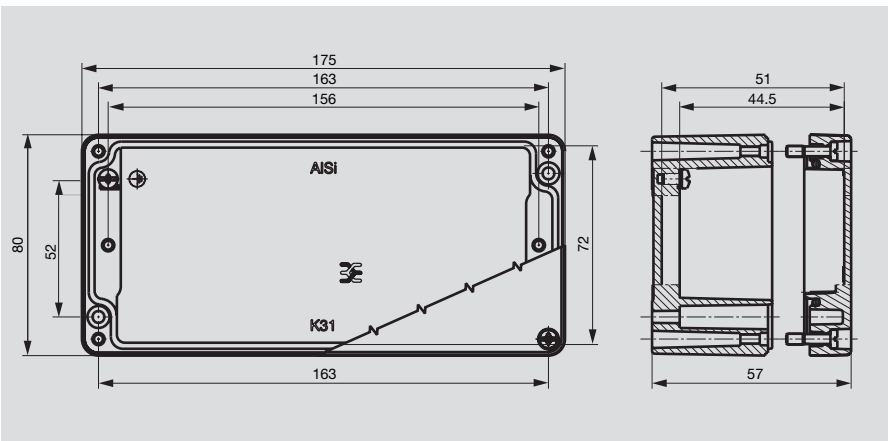
Note ** Our IP68 brass cable glands serve as a reference for these recommended values.

Diecast aluminium enclosure



Height x Width x Depth mm
 Weight g

K 31



80 x 175 x 57
 520

Ordering data

natural finish	standard	Order No. 0573500000
Enclosure for hazardous areas (Ex)		9526890000
painted, RAL 7001	standard	Order No. 9529170000
Note Please state the ambient temperature of the enclosure when ordering (e.g. -50°C/silicone seal).		

Accessories

Terminal rail, set	15 mm wide	Order No. 1910040000
Earth bar, set		
Bus bar 10 x 3 mm, set		
Mounting plate sheet steel, galvanised		
Spacer, M5 x 8, set of 2		
Hinges, diecast aluminium, set		1580360000
Mounting feet, set of 4		

Technical data

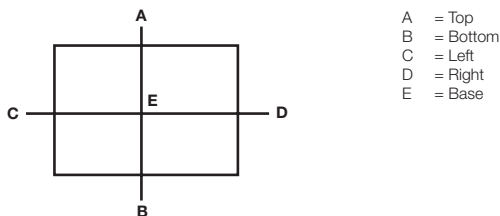
Terminal content	vertical	horizontal
	2.5 mm	1x23
	4 mm	1x19
	6 mm	
	10 mm	
	16 mm	

Note
 * Please use AKZ or BK terminals for these enclosures. Also refer to our terminals catalogue.

Max. number of cable entries per enclosure side **

	A / B	C / D
M 12	9	2
M 16	6	2
M 20	4	1
M 25	3	
M 32		
M 40		
M 50		
M 63		

Enclosure sides - ID



Note Sets also include any fixings necessary. 1 hinge per long side

Note ** Our IP68 brass cable glands serve as a reference for these recommended values.

Klippon® K - Aluminium enclosures

Diecast aluminium enclosure



Height x Width x Depth mm
80 x 250 x 55

Weight g
710

Ordering data

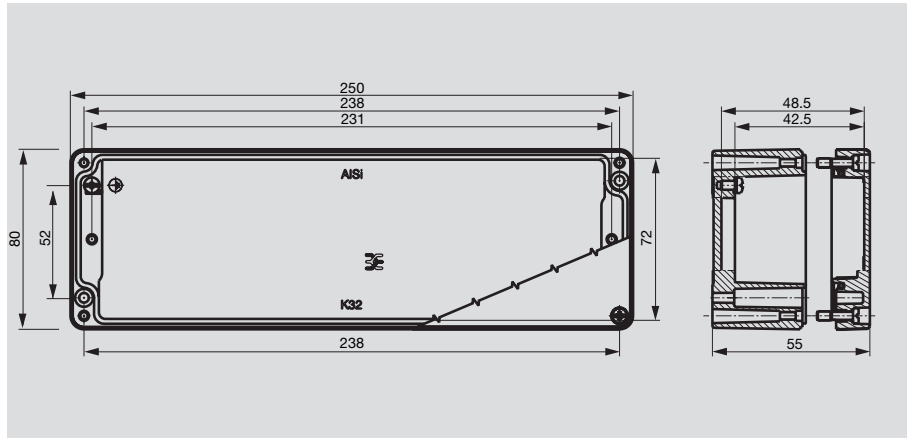
natural finish	standard	Order No.
		1565260000
Enclosure for hazardous areas (Ex)		
		9526900000
painting, RAL 7001	standard	Order No.
		9529180000
Note Please state the ambient temperature of the enclosure when ordering (e.g. -50°C/silicone seal).		

Accessories

Terminal rail, set	15 mm wide	Order No.
		1910050000
Earth bar, set		
Bus bar 10 x 3 mm, set		
Mounting plate		
	sheet steel, galvanised	3073050000
Spacer, M5 x 8, set of 2		
Hinges, diecast aluminium, set		
Mounting feet, set of 4		

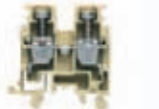
Note Sets also include any fixings necessary

K 32



80 x 250 x 55
710


Technical data

Terminal content	vertical	horizontal
	2.5 mm	1x38
	4 mm	1x32
	6 mm	
	10 mm	
	16 mm	

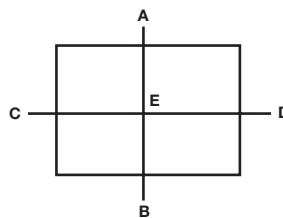
Note

* Please use AKZ or BK terminals for these enclosures. Also refer to our terminals catalogue.

Max. number of cable entries per enclosure side **

	A / B	C / D
	15	2
	9	2
	7	1
	6	

Enclosure sides - ID



A = Top
B = Bottom
C = Left
D = Right
E = Base

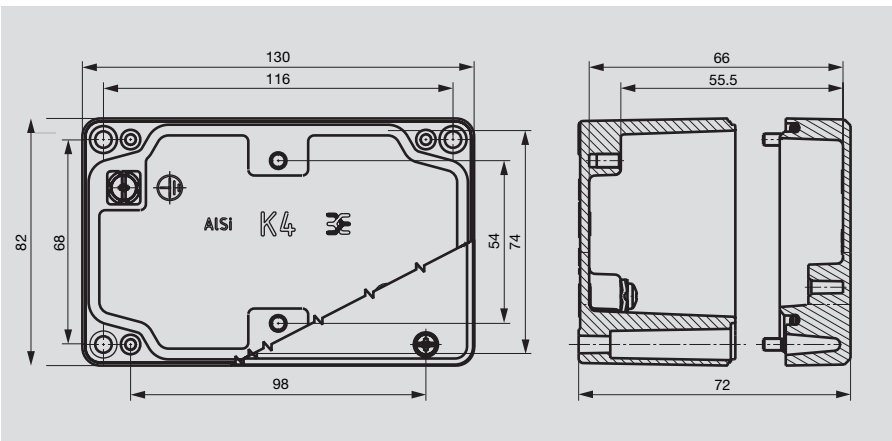
Note ** Our IP68 brass cable glands serve as a reference for these recommended values.

Diecast aluminium enclosure



Height x Width x Depth mm
 Weight g

K 4



82 x 130 x 72
 620

Ordering data

natural finish	standard	Order No. 0342300000
Enclosure for hazardous areas (Ex)		9526910000
painted, RAL 7001	standard	Order No. 9529190000
Note Please state the ambient temperature of the enclosure when ordering (e.g. -50°C/silicone seal).		

Accessories

Terminal rail, set	35 mm wide	Order No. 1910060000
Earth bar, set		
Bus bar 10 x 3 mm, set		
Mounting plate	sheet steel, galvanised	Order No. 3073060000
Spacer, M5 x 8, set of 2		
Hinges, diecast aluminium, set		Order No. 1580360000
Mounting feet, set of 4		Order No. 9529080000

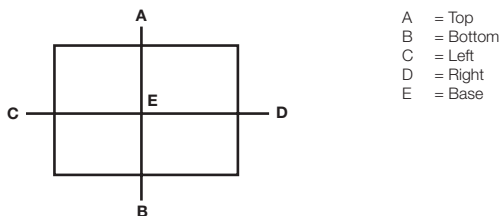
Technical data

Terminal content	vertical	horizontal
	1x5	
	1x4	
	1x3	
	1x2	

Note
 Terminal rails should be fitted directly.
 The assembly with modular terminals includes a 10 mm space at each end of the terminal rail.
 Recommendation:
 TS 35 DIN Rail (screw clamp terminal) WDU 2.5 1020000000 / (tension clamp terminal) ZDU 2.5 1608510000

Max. number of cable entries per enclosure side **	A / B	C / D
M 12	2	5
M 16	2	3
M 20	1	2
M 25	1	2
M 32	1	
M 40		
M 50		
M 63		

Enclosure sides - ID



Note Sets also include any fixings necessary. 1 hinge per long side

Note ** Our IP68 brass cable glands serve as a reference for these recommended values.

Klippon® K - Aluminium enclosures

Diecast aluminium enclosure



Height x Width x Depth mm
 120 x 122 x 81

Weight g
 840

Ordering data

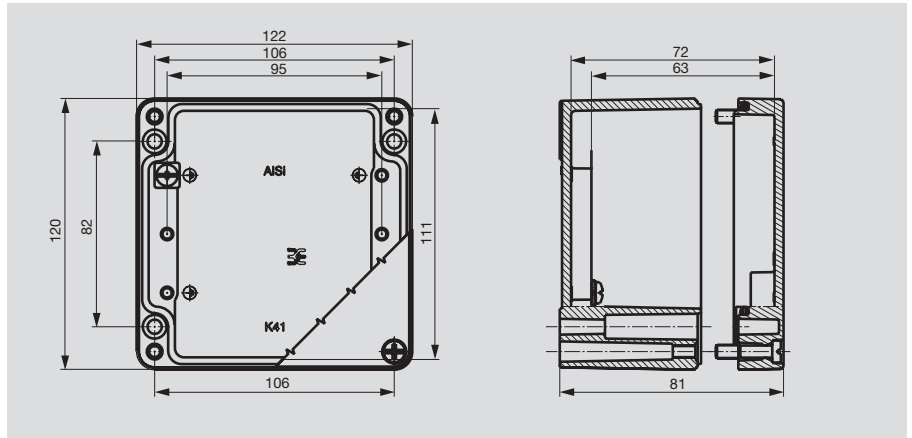
natural finish	standard	Order No.
		1565270000
Enclosure for hazardous areas (Ex)		9526920000
Painted, RAL 7001	standard	Order No.
		9529200000
Note Please state the ambient temperature of the enclosure when ordering (e.g. -50°C/silicone seal).		

Accessories

Terminal rail, set	35 mm wide	Order No. 1910070000
Earth bar, set		9511200000
Bus bar 10 x 3 mm, set		
Mounting plate	sheet steel, galvanised	3073070000
Spacer, M5 x 8, set of 2		
Hinges, diecast aluminium, set		1580360000
Mounting feet, set of 4		9527590000


Note Sets also include any fixings necessary. 1 hinge per long side

K 41



120 x 122 x 81
 840


Technical data

Terminal content	vertical	horizontal
	2.5 mm	1x13
	4 mm	1x11
	6 mm	1x8
	10 mm	1x6
	16 mm	

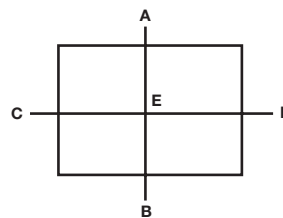
Note

* Please use AKZ or BK terminals for these enclosures. Also refer to our terminals catalogue.

Max. number of cable entries per enclosure side **

	A / B	C / D
	M 12	6
	M 16	6
	M 20	3
	M 25	2
	M 32	1
	M 40	
	M 50	
	M 63	

Enclosure sides - ID



A = Top
 B = Bottom
 C = Left
 D = Right
 E = Base

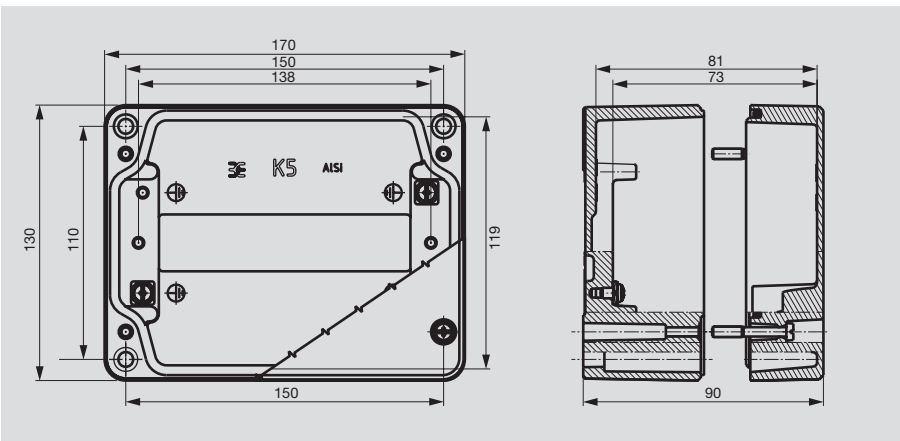
Note ** Our IP68 brass cable glands serve as a reference for these recommended values.

Diecast aluminium enclosure



Height x Width x Depth mm
 130 x 170 x 90
 Weight g
 1540

K 5



130 x 170 x 90
 1540

Ordering data

natural finish	standard	Order No. 0342400000
Enclosure for hazardous areas (Ex)		9526930000
painted, RAL 7001	standard	Order No. 9529210000
Note Please state the ambient temperature of the enclosure when ordering (e.g. -50°C/silicone seal).		

Accessories

Terminal rail, set	35 mm wide	Order No. 1910080000
Earth bar, set		9511220000
Bus bar 10 x 3 mm, set		
Mounting plate	sheet steel, galvanised	3073080000
Spacer, M5 x 8, set of 2		
Hinges, diecast aluminium, set		1580360000
Mounting feet, set of 4		9529080000

Technical data

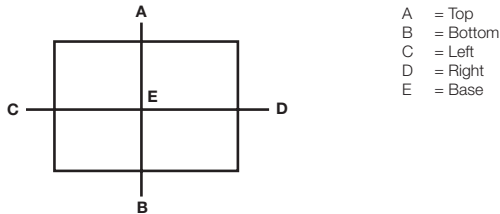
Terminal content	vertical	horizontal
	2.5 mm	1x20
	4 mm	1x16
	6 mm	1x12
	10 mm	1x10
	16 mm	1x8

Note
 Terminal rails should be fitted directly.
 The assembly with modular terminals includes a 10 mm space at each end of the terminal rail.
 Recommendation:
 TS 35 DIN Rail (screw clamp terminal) WDU 2.5 1020000000 / (tension clamp terminal) ZDU 2.5 1608510000

Max. number of cable entries per enclosure side **

	A / B	C / D
M 12	11	4
M 16	8	2
M 20	4	1
M 25	3	1
M 32	2	1
M 40		
M 50		
M 63		

Enclosure sides - ID



Note Sets also include any fixings necessary. 1 hinge per long side

Note ** Our IP68 brass cable glands serve as a reference for these recommended values.

Diecast aluminium enclosure



Height x Width x Depth mm
 120 x 220 x 81
 Weight g
 1280

Ordering data

natural finish	standard	Order No.
		1565280000
Enclosure for hazardous areas (Ex)		9526940000
Painted, RAL 7001	standard	Order No.
		9529220000

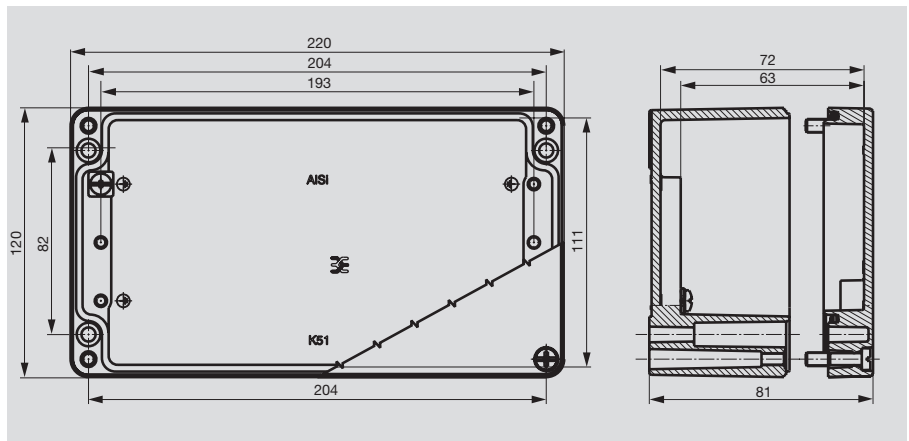
Note Please state the ambient temperature of the enclosure when ordering (e.g. -50°C/silicone seal).

Accessories

Terminal rail, set	35 mm wide	Order No.
		1910090000
Earth bar, set		9511210000
Bus bar 10 x 3 mm, set		
Mounting plate	sheet steel, galvanised	3073090000
Spacer, M5 x 8, set of 2		
Hinges, diecast aluminium, set		1580360000
Mounting feet, set of 4		9527590000

Note Sets also include any fixings necessary. 2 hinges per long side

K 51



120 x 220 x 81
 1280

Technical data

Terminal content	vertical	horizontal
	2.5 mm	1x31
	4 mm	1x26
	6 mm	1x19
	10 mm	1x15
	16 mm	

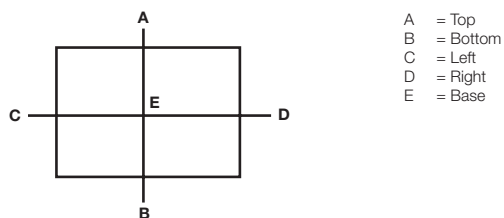
Note

Terminal rails should be fitted directly.
 The assembly with modular terminals includes a 10 mm space at each end of the terminal rail.
 Recommendation:
 TS 35 DIN Rail (screw clamp terminal) WDU 2.5 1020000000 / (tension clamp terminal) ZDU 2.5 1608510000

Max. number of cable entries per enclosure side **

	A / B	C / D
	23	6
	14	3
	8	2
	5	1
	3	1
	3	

Enclosure sides - ID



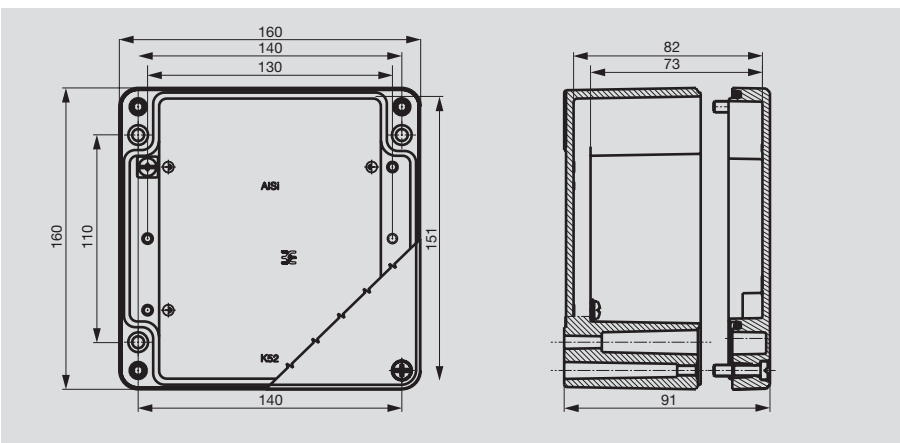
Note ** Our IP68 brass cable glands serve as a reference for these recommended values.

Diecast aluminium enclosure



Height x Width x Depth mm
 Weight g

K 52



160 x 160 x 91
 1480

Ordering data

natural finish	standard	Order No. 1565290000
Enclosure for hazardous areas (Ex)		9526950000
painted, RAL 7001	standard	Order No. 9529230000
Note Please state the ambient temperature of the enclosure when ordering (e.g. -50°C/silicone seal).		

Accessories

Terminal rail, set	35 mm wide	Order No. 1910100000
Earth bar, set		9511220000
Bus bar 10 x 3 mm, set		
Mounting plate	sheet steel, galvanised	Order No. 3073100000
Spacer, M5 x 8, set of 2		
Hinges, diecast aluminium, set		Order No. 1580360000
Mounting feet, set of 4		Order No. 9527590000

Technical data

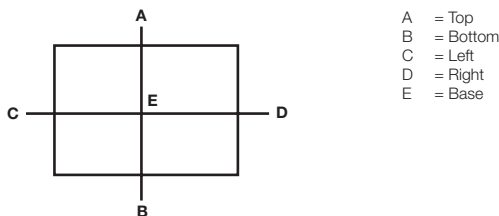
Terminal content	vertical	horizontal
	2.5 mm	1x18
	4 mm	1x15
	6 mm	1x11
	10 mm	1x9
	16 mm	

Note
 Terminal rails should be fitted directly.
 The assembly with modular terminals includes a 10 mm space at each end of the terminal rail.
 Recommendation:
 TS 35 DIN Rail (screw clamp terminal) WDU 2.5 1020000000 / (tension clamp terminal) ZDU 2.5 1608510000

Max. number of cable entries per enclosure side **

	A / B	C / D
	14	8
	8	5
	5	3
	3	2
	2	1
	1	

Enclosure sides - ID



Note Sets also include any fixings necessary. 1 hinge per long side

Note ** Our IP68 brass cable glands serve as a reference for these recommended values.

Diecast aluminium enclosure



Height x Width x Depth mm
 160 x 200 x 100
 Weight g
 2000

Ordering data

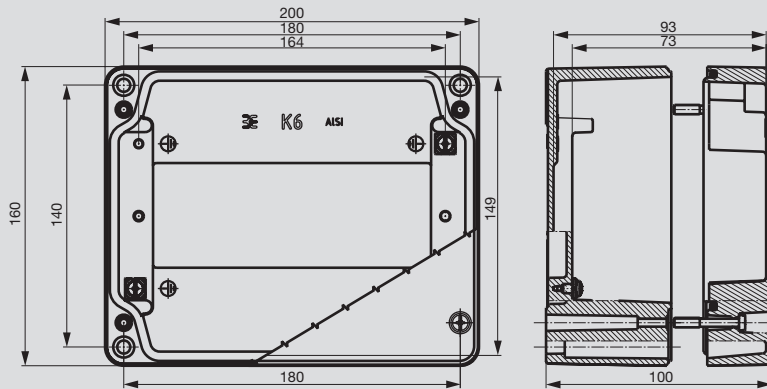
natural finish	standard	Order No. 0342500000
Enclosure for hazardous areas (Ex)		9526960000
painted, RAL 7001	standard	Order No. 9529240000
Note Please state the ambient temperature of the enclosure when ordering (e.g. -50°C/silicone seal).		

Accessories

Terminal rail, set	35 mm wide	Order No. 1910110000
Earth bar, set		9525020000
Bus bar 10 x 3 mm, set		
Mounting plate	sheet steel, galvanised	Order No. 3073110000
Spacer, M5 x 8, set of 2		
Hinges, diecast aluminium, set		Order No. 1580360000
Mounting feet, set of 4		Order No. 9529080000

Note Sets also include any fixings necessary. 2 hinges per long side

K 6



160 x 200 x 100
 2000

Technical data

Terminal content	vertical	horizontal
	2.5 mm	1x25
	4 mm	1x21
	6 mm	1x15
	10 mm	1x12
	16 mm	1x10

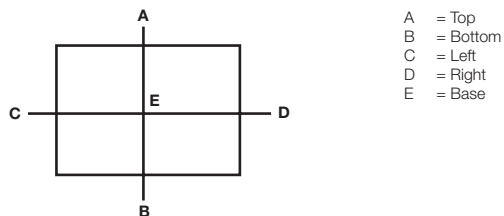
Note

Terminal rails should be fitted directly.
 The assembly with modular terminals includes a 10 mm space at each end of the terminal rail.
 Recommendation:
 TS 35 DIN Rail (screw clamp terminal) WDU 2.5 1020000000 / (tension clamp terminal) ZDU 2.5 1608510000

Max. number of cable entries per enclosure side **

	A / B	C / D
	17	6
	12	6
	7	3
	4	2
	3	2
	2	1

Enclosure sides - ID



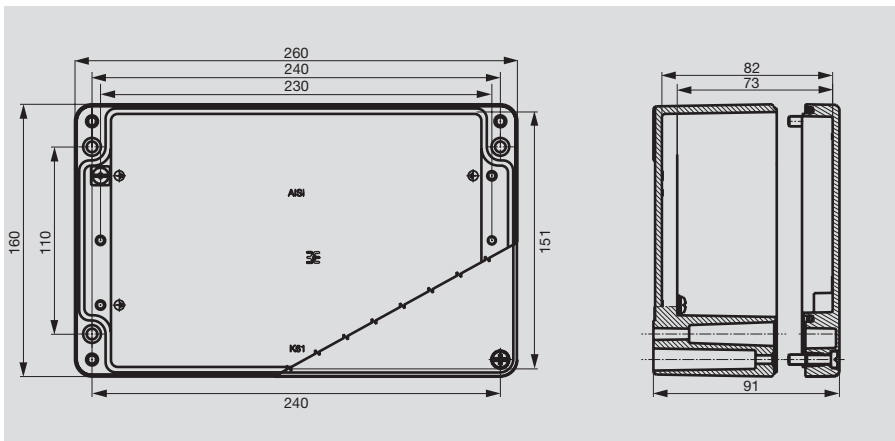
Note ** Our IP68 brass cable glands serve as a reference for these recommended values.

Diecast aluminium enclosure



Height x Width x Depth mm
Weight g

K 61



160 x 260 x 91
2060

Ordering data

natural finish	standard	Order No. 0573600000
Enclosure for hazardous areas (Ex)		9526970000
painted, RAL 7001	standard	Order No. 9529250000
Note Please state the ambient temperature of the enclosure when ordering (e.g. -50°C/silicone seal).		

Accessories

Terminal rail, set	35 mm wide	Order No. 1910120000
Earth bar, set		9511230000
Bus bar 10 x 3 mm, set		
Mounting plate	sheet steel, galvanised	3073120000
Spacer, M5 x 8, set of 2		
Hinges, diecast aluminium, set		1580360000
Mounting feet, set of 4		9527590000

Technical data

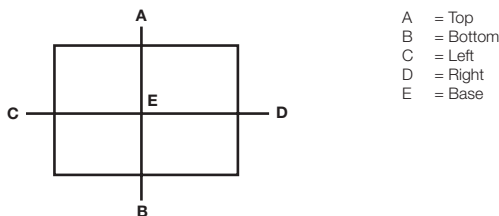
Terminal content	vertical	horizontal
	2.5 mm	1x38
	4 mm	1x32
	6 mm	1x24
	10 mm	1x19
	16 mm	1x16

Note
Terminal rails should be fitted directly.
The assembly with modular terminals includes a 10 mm space at each end of the terminal rail.
Recommendation:
TS 35 DIN Rail (screw clamp terminal) WDU 2.5 1020000000 / (tension clamp terminal) ZDU 2.5 1608510000

Max. number of cable entries per enclosure side **

	A / B	C / D
	27	8
	23	6
	13	3
	8	2
	4	1
	3	1

Enclosure sides - ID



Note Sets also include any fixings necessary. 2 hinges per long side

Note ** Our IP68 brass cable glands serve as a reference for these recommended values.

Klippon® K - Aluminium enclosures

Diecast aluminium enclosure



Height x Width x Depth mm
 160 x 350 x 100

Weight g
 2870

Ordering data

natural finish	Order No.
standard	0342600000
Enclosure for hazardous areas (Ex)	9526980000
Painted, RAL 7001	Order No.
standard	9529260000

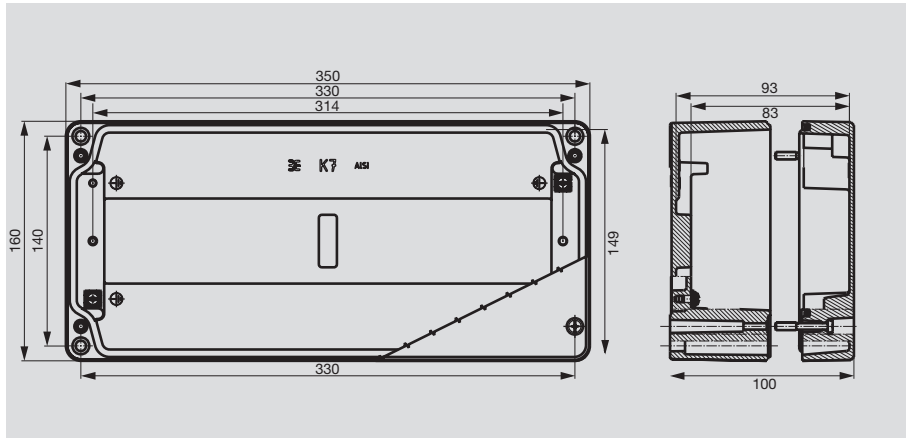
Note Please state the ambient temperature of the enclosure when ordering (e.g. -50°C/silicone seal).

Accessories

Terminal rail, set	Order No.
35 mm wide	1910130000
Earth bar, set	Order No.
	9525030000
Bus bar 10 x 3 mm, set	Order No.
Mounting plate	Order No.
sheet steel, galvanised	3073130000
Spacer, M5 x 8, set of 2	Order No.
Hinges, diecast aluminium, set	Order No.
	1580360000
Mounting feet, set of 4	Order No.
	9529080000

Note Sets also include any fixings necessary. 2 hinges per long side

K 7



160 x 350 x 100
 2870

Technical data

Terminal content	vertical	horizontal
	2.5 mm	1x55
	4 mm	1x46
	6 mm	1x34
	10 mm	1x27
	16 mm	1x23

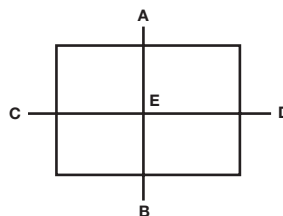
Note

Terminal rails should be fitted directly.
 The assembly with modular terminals includes a 10 mm space at each end of the terminal rail.
 Recommendation:
 TS 35 DIN Rail (screw clamp terminal) WDU 2.5 1020000000 / (tension clamp terminal) ZDU 2.5 1608510000

Max. number of cable entries per enclosure side **

	A / B	C / D
	M 12	42
	M 16	26
	M 20	17
	M 25	10
	M 32	6
	M 40	5
	M 50	
	M 63	

Enclosure sides - ID

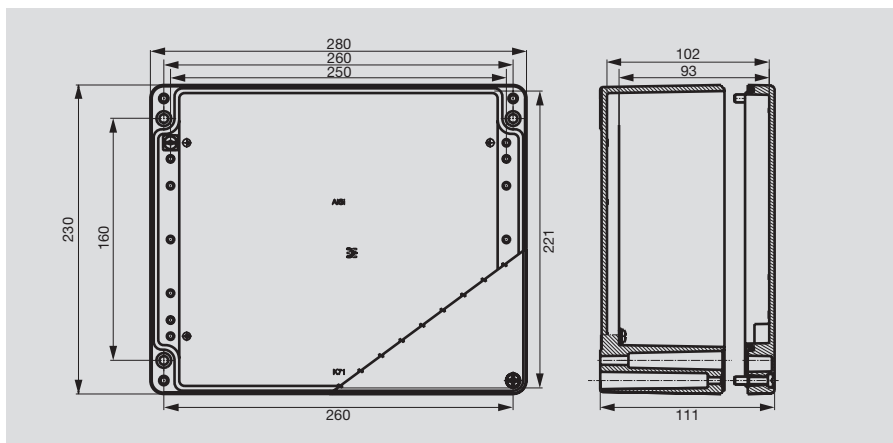


A = Top
 B = Bottom
 C = Left
 D = Right
 E = Base

Note ** Our IP68 brass cable glands serve as a reference for these recommended values.

Diecast aluminium enclosure

K 71



Height x Width x Depth mm
 230 x 280 x 111
 Weight g
 2925

230 x 280 x 111
 2925

Ordering data

natural finish	standard	Order No. 0573700000
Enclosure for hazardous areas (Ex)		9526990000
Painted, RAL 7001	standard	Order No. 9529270000
Note Please state the ambient temperature of the enclosure when ordering (e.g. -50°C/silicone seal).		


Technical data

Terminal content	vertical	horizontal
	2.5 mm	2x42
	4 mm	2x35
	6 mm	2x26
	10 mm	2x21
	16 mm	

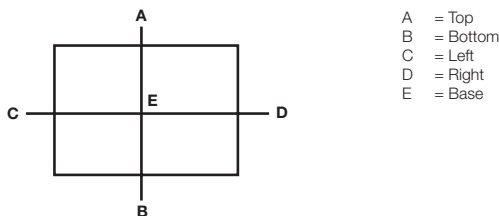
Note
 Terminal rails should be fitted directly.
 The assembly with modular terminals includes a 10 mm space at each end of the terminal rail.
 Recommendation:
 TS 35 DIN Rail (screw clamp terminal) WDU 2.5 1020000000 / (tension clamp terminal) ZDU 2.5 1608510000

Accessories

Terminal rail, set	35 mm wide	Order No. 1910140000
Earth bar, set		9511190000
Bus bar 10 x 3 mm, set		
Mounting plate	sheet steel, galvanised	3073140000
Spacer, M5 x 8, set of 2		
Hinges, diecast aluminium, set		1580360000
Mounting feet, set of 4		9527590000

Max. number of cable entries per enclosure side **	A / B	C / D	
	M 12	42	28
	M 16	30	18
	M 20	21	10
	M 25	12	8
	M 32	10	3
	M 40	4	2
	M 50	3	2
	M 63		

Enclosure sides - ID



Note Sets also include any fixings necessary. 2 hinges per long side

Note ** Our IP68 brass cable glands serve as a reference for these recommended values.