



Uniquely innovative solutions

Legrand's type B distribution boards are available in standard and flexible versions. The flexible board is one of the most innovative products in the entire Legrand portfolio and can accommodate a mixture of 1 to 4 pole devices in a variety of configurations, saving both space and money as well as simplifying the whole process from design to installation.

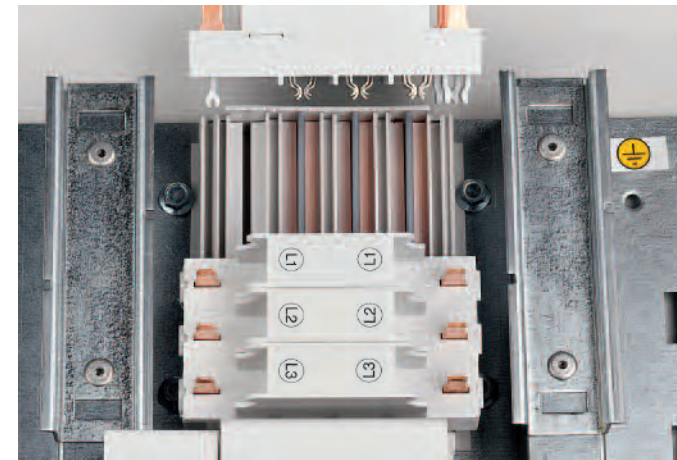
This flexibility allows you to customise boards to your exact requirements.



▼ FEATURES

- Shrouded busbars and neutral bars
- Shrouded clip-on clear plastic cover
- Metal and glass door options
- Modern styling
- Plug-in system requires no tightening of screws on to busbar
- Accommodate Legrand Lexic modular devices

▼ TYPE B FLEXIBLE BOARDS

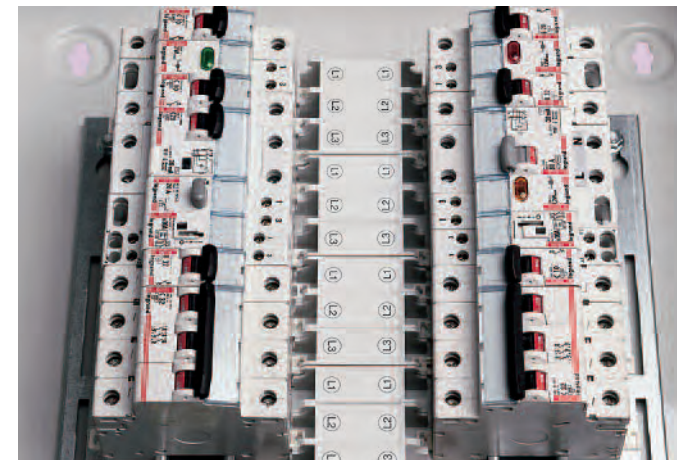


■ Flexible connectors clip directly to the busbar

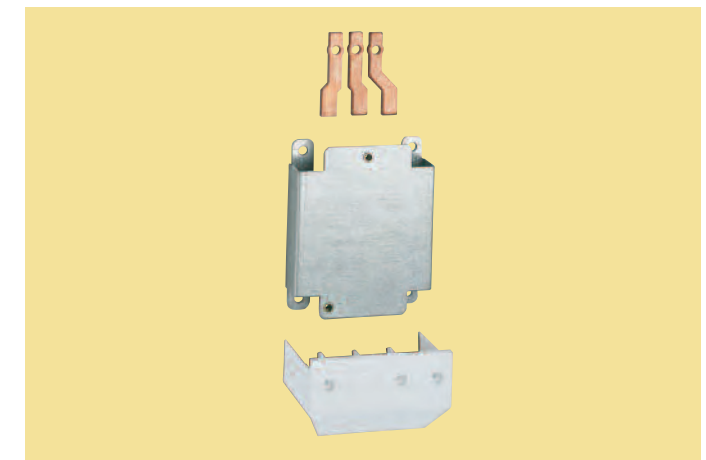
▼ INCOMERS AND KITS



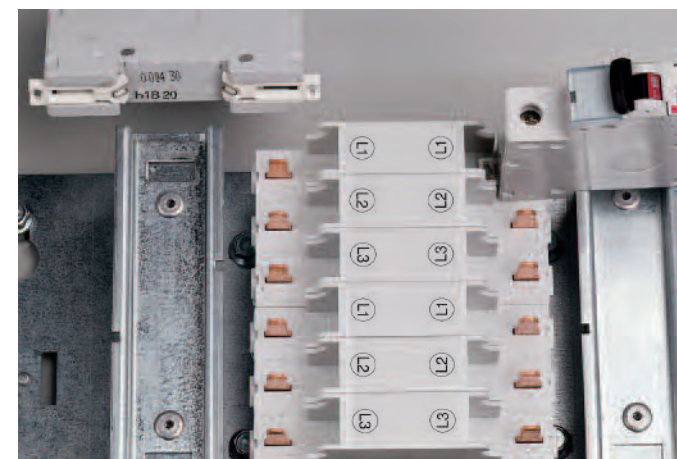
■ Selection of main incomers



■ Busbar accommodates a mixture of 1 to 4 pole devices



■ Incomer kits make installation easy



■ Plug-in system for outgoing devices

▼ OUTGOING DEVICES

➤ For the full range of Legrand Lexic MCBs and other outgoing devices, please refer to the isolation, protection, control and signalling section of the catalogue.



Type B distribution boards

TYPE B DISTRIBUTION BOARDS 125 A STANDARD

	Number of ways (triple pole)					
	4	6	8	12	16	24
Solid door	6071 00	6071 01	6071 02	6071 03	6071 04	6071 05
Glass door	6071 50	6071 51	6071 52	6071 53	6071 54	6071 55

TYPE B DISTRIBUTION BOARDS 125 A FLEXIBLE

	Number of modules			
	24	36	48	72
Solid door	6071 06	6071 07	6071 08	6071 09
Glass door	6071 56	6071 57	6071 58	6071 59

INCOMING DEVICES AND KITS

Switch disconnecter 100 A 3P	0043 55 + 6072 00
Switch disconnecter 100 A 4P	0043 75 + 6072 00
Switch disconnecter 125 A 3P	0043 58 + 6072 00
Switch disconnecter 125 A 4P	0043 78 + 6072 00
MCCB 125 A 3P	0250 21 + 6072 01
MCCB 125 A 4P	0250 29 + 6072 02

TYPE B DISTRIBUTION BOARDS 250 A STANDARD

	Number of ways (triple pole)					
	4	6	8	12	16	24
Solid door	6071 10	6071 11	6071 12	6071 13	6071 14	6071 15
Glass door	6071 60	6071 61	6071 62	6071 63	6071 64	6071 65

TYPE B DISTRIBUTION BOARDS 250 A FLEXIBLE

	Number of modules			
	24	36	48	72
Solid door	6071 16	6071 17	6071 18	6071 19
Glass door	6071 66	6071 67	6071 68	6071 69

INCOMING DEVICES AND KITS

Trip free switch 250 A 3P	0252 98 + 6072 04
Trip free switch 250 A 4P	0252 99 + 6072 05
MCCB 250 A 3P	0252 26 + 6072 04
MCCB 250 A 4P	0252 36 + 6072 05

DX-H MCBs 10 KA

Rating (A)	B curve		C curve		D curve	
	1P	3P	1P	3P	1P	3P
1	0066 91	0067 72	0068 52	0069 32	0065 75	0066 45
2	0066 92	0067 73	0068 53	0069 33	0065 76	0066 46
3	0066 93	0067 74	0068 54	0069 34	0065 77	0066 47
6	0066 95	0067 76	0068 56	0069 36	0065 79	0066 49
10	0066 97	0067 78	0068 58	0069 38	0065 81	0066 51
16	0067 00	0067 80	0068 60	0069 40	0065 83	0066 53
20	0067 01	0067 81	0068 61	0069 41	0065 84	0066 54
25	0067 02	0067 82	0068 62	0069 42	0065 85	0066 55
32	0067 03	0067 83	0068 63	0069 43	0065 86	0066 56
40	0067 04	0067 84	0068 64	0069 44	0065 87	0066 57
50	0067 05	0067 85	0068 65	0069 45	0065 88	0066 58
63	0067 06	0067 86	0068 66	0069 46	0065 89	0066 59

RCBOs SINGLE MODULE 10 KA

Rating (A)	C curve
	1P
10	6064 10
16	6064 11
20	6064 12
25	6064 13
32	6064 14
45	6064 15

type B distribution board accessories



6072 01



6071 81
with padlock
(not supplied)



6071 70



6071 30



6071 75



6071 17

Pack	Cat. Nos.	Incomer kits	
1	6072 00	Kit for incomer 3P/4P MCB switch disconnectors and 4 pole RCD	
1	6072 01	Kit for incomer MCCB 125 A 3P	
1	6072 02	Kit for incomer MCCB 125 A 4P	
1	6072 03	Kit for incomer MCCB 125 A 4P - earth leakage underneath	
1	6072 04	Kit for incomer MCCB 250 A 3P	
1	6072 05	Kit for incomer MCCB 250 A 4P	
1	6072 06	Kit for incomer MCCB 250 A 4P - earth leakage underneath	

Accessories			
1	6071 80	Handle key lock	
1	6071 81	Handle for padlock	

Neutral and earth bars			
		Outgoing capacity	Terminal length (mm)
1	0048 42	Neutral bar	8 x 1.5 to 16 mm ² 75
1	0048 32	Clean earth	8 x 1.5 to 16 mm ² 75

Pack	Cat. Nos.	Connectors for flexible distribution board	
8	6072 10	Connector - L1 phase	
8	6072 11	Connector - L2 phase	
8	6072 12	Connector - L3 phase	
8	6072 13	Connector - neutral	
4	6072 14	Connector - double pole (L1 + neutral)	
4	6072 15	Connector - double pole (L2 + neutral)	
4	6072 16	Connector - double pole (L3 + neutral)	
8	6072 17	Connector - triple pole	
6	6072 18	Connector - four pole	
8	6071 83	Connector - blank	

Terminal blocks		
1	6071 30	Terminal block 125 A
1	6071 31	Terminal block 250 A

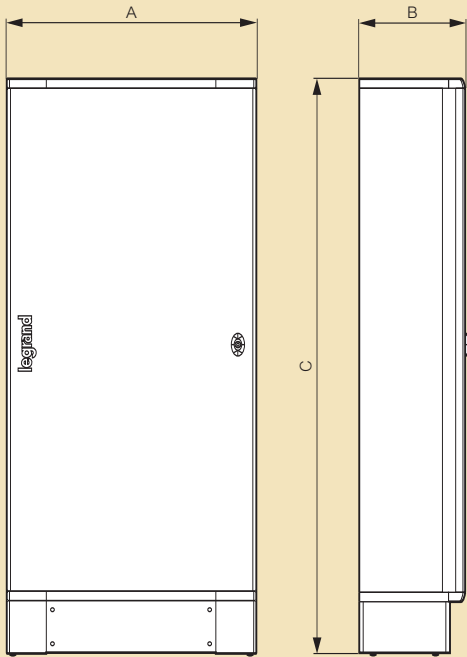
Boxes - height 200 mm		
1	6071 70	Box for rail products (max. 15 modules)
1	6071 72	Cable box top/bottom

Gland plates		
1	6071 75	Gland plate - plain
1	6071 76	Gland plate - with knockouts

Insulated covers and spacers		
1	6071 82	Blank MCB 10 module plate
5	0049 83	Insulated covers for 4 connector pins

panel boards

■ Dimensions (mm)



250 A incomer with 400 A busbar 125 A outgoing - 25 mm centres triple pole

No. of ways	A	B	C
6	700	280	1250
12	700	280	1600 ⁽¹⁾
16	700	280	1800 ⁽¹⁾

400 A incomer with 400 A busbar 125 A outgoing - 25 mm centres triple pole

No. of ways	A	B	C
6	700	280	1250
12	700	280	1600 ⁽¹⁾
16	700	280	1800 ⁽¹⁾

400 A incomer with 400 A busbar 250 A outgoing - 30 mm centres triple pole

No. of ways	A	B	C
6	950	280	1600 ⁽¹⁾
12	950	280	1800 ⁽¹⁾
16	950	280	2000 ⁽¹⁾

630 A/800 A incomer with 800 A busbar 125 A outgoing - 25 mm centres triple pole

No. of ways	A	B	C
6	700	280	1600 ⁽¹⁾
12	700	280	1800 ⁽¹⁾
16	700	280	2000 ⁽¹⁾

630 A/800 A incomer with 800 A busbar 250 A outgoing - 30 mm centres triple pole

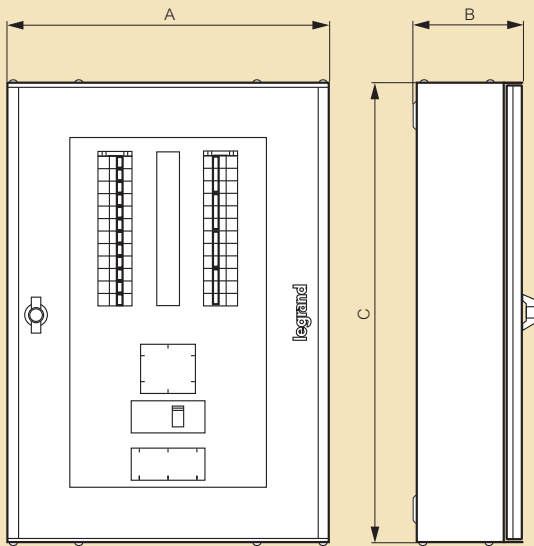
No. of ways	A	B	C
6	950	280	1600 ⁽¹⁾
12	950	280	1800 ⁽¹⁾
16	950	280	2000 ⁽¹⁾

(1) Including 150 mm for fitted plinth

type B distribution boards

type A distribution boards

■ Dimensions (mm)



125 A board
triple pole 125 A incomer

No. of ways	A	B	C
4	450	150	555
6	450	150	605
8	450	150	655
12	450	150	805
16	450	150	855
24	450	150	1205

250 A board
triple pole 250 A incomer

No. of ways	A	B	C
4	450	150	555
6	450	150	705
8	450	150	755
12	450	150	855
16	450	150	955
24	450	150	1205

125 A board
flexible 125 A incomer

No. of ways	A	B	C
24	450	150	655
36	450	150	805
48	450	150	855
72	450	150	1205

250 A board
flexible 250 A incomer

No. of ways	A	B	C
24	450	150	755
36	450	150	855
48	450	150	955
72	450	150	1205

125 A board
triple pole 125 A with earth leakage module

No. of ways	A	B	C
4	450	150	755
6	450	150	805
8	450	150	855
12	450	150	1005
16	450	150	1055
24	450	150	1405

250 A board
triple pole 250 A with earth leakage module

No. of ways	A	B	C
4	450	150	855
6	450	150	905
8	450	150	955
12	450	150	1055
16	450	150	1155
24	450	150	1405

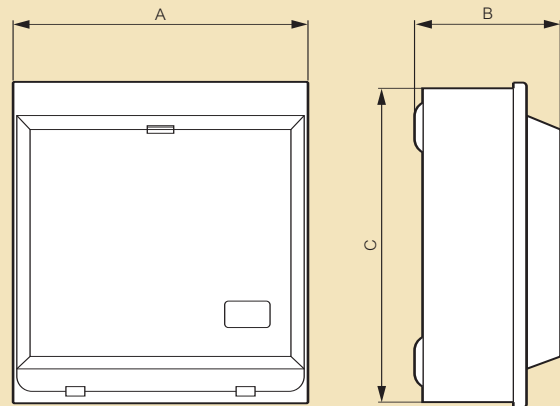
125 A board
flexible 125 A with earth leakage module

No. of ways	A	B	C
24	450	150	855
36	450	150	1005
48	450	150	1055
72	450	150	1405

250 A board
flexible 250 A with earth leakage module

No. of ways	A	B	C
24	450	150	955
36	450	150	1055
48	450	150	1155
72	450	150	1405

■ Dimensions (mm)



Standard

No. of ways	A	B	C
6	260	120	235
10	332	120	235
14	377	120	235
18	449	120	235

Plexo boxes

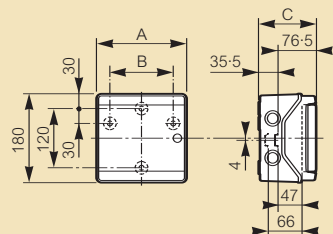
with rail

terminal shield boxes

with rail

■ Dimensions

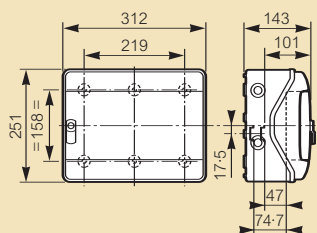
Cat. Nos. 0017 02/04/06/08



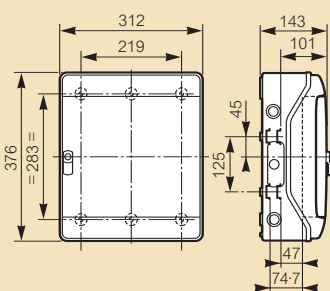
Cat. Nos.	A (mm)	B (mm)	C (mm)
0017 02	124	72	108
0017 04	142	90	115
0017 06	178	126	115
0017 08	232	180	115

Boxes with 12 modules per row

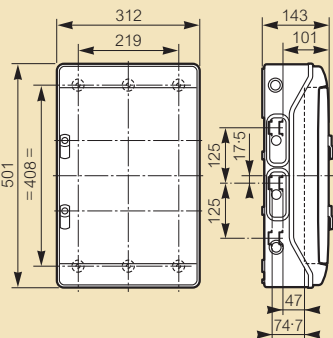
Cat. No. 0017 11



Cat. No. 0017 12



Cat. No. 0017 13



Number of membrane glands supplied

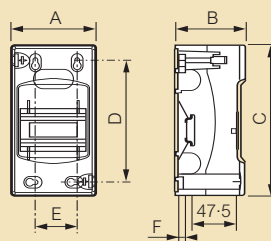
Cat. Nos.	Membrane glands		
	0919 03 for cable Ø 5 to 18 mm	0919 05 for cable Ø 6 to 22 mm	0919 06 for cable Ø 6 to 28 mm
0017 02	2	1	-
0017 04	2	1	-
0017 06	4	2	-
0017 08	5	2	1
0017 11	6	2	2
0017 12	11	3	2
0017 13	16	4	2

Number of knockouts : top and bottom

Cat. Nos.	PG				
	11-16	16	16-21	21	21-29
	Diameter (mm)				
	19-23	23	23-29	29	29-38
0017 02	-	1	-	1	-
0017 04	-	2	1	-	-
0017 06	2	2	1	-	-
0017 08	2	-	2	-	-
0017 11/12/13	7	7	1	-	2

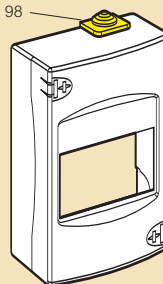
■ Dimensions

Cat. Nos. 0013 01/02/04/06/08



Cat. Nos.	A (mm)	B (mm)	C (mm)	D (mm)	E (mm)	F (mm)
0013 01	30	72	140	120	10	7
0013 02	50	72	140	115	25	7
0013 04	90	74	160	130	45	7
0013 06	128	74	160	125	80	7
0013 08	190	83	180	130	120	14.5

Cat. No. 0013 98



Entry via tube or cable