

Manual Call Points

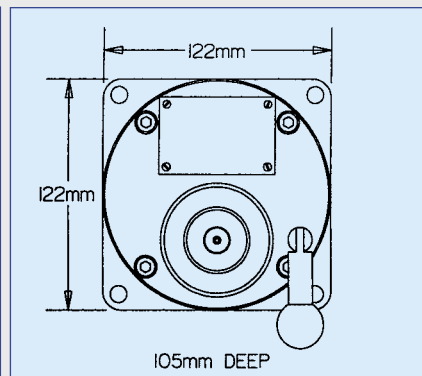
SM87 BG

Break Glass Call Point – Explosionproof



Certification	Ⓔ ATEX Ⓢ GOST 'R' & 'K', Chinese
Intrinsically Safe Flameproof	ATEX Ex II 1G, EExia IIC T4 ATEX Ex II 2G, EExd IIC T6
Certified Ambient Temperature	-55°C to +70°C -20°C to +55°C (LED)
Ingress Protection	IP66 & 67
Material	Stainless Steel or Alloy
Entries	Up to 4 x 20mm or 25mm
Weight	3.8kg (Steel) 2.5kg (Alloy)

Options: Body colour, lift flap, LED, resistor, diode, 3 & 4 pole changeover switch, certification, tag & duty labels.



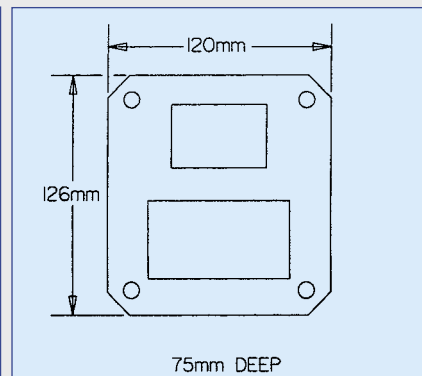
BG

Break Glass Call Point – Explosionproof & Weatherproof



Certification	Ⓔ ATEX Ⓢ GOST 'R' & 'K', Chinese
Intrinsically Safe Increased Safety	ATEX Ex II 1GD, EExia IIC T4 ATEX Ex II 2GD, EExed(m) IIC T4 (T6)
Certified Ambient Temperature	-40°C to +50°C (EExia) -20°C to +50°C (EExed)
Ingress Protection	IP66 & 67
Material	Corrosion-free GRP
Entries	Up to 4 x 20mm or 16mm
Weight	1.2kg (varies with model)

Options: Body colour, LED, lift flap, series & EOL resistors, diodes, earth continuity, terminals, certification, tag & duty labels.



Standard models. Available ex-stock.

Certification	Type	Ordering Code	Standard Product Configuration
ATEX Ex II 1GD	Intrinsically Safe	800002	Standard models have 2 x 20mm bottom entries, red painted GRP, single switch glass label 'Fire Break Glass Press Here'.
ATEX Ex II 2GD	Increased Safety	800003	
-	Weatherproof	800001	

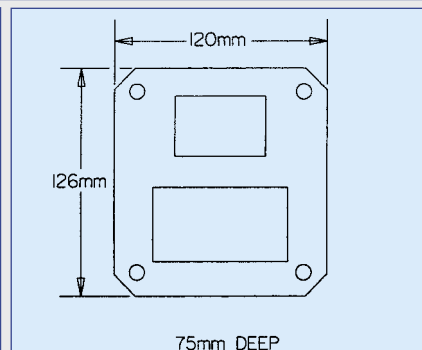
BG2

Break Glass Call Point – Explosionproof



Certification	Ⓔ ATEX
Intrinsically Safe Increased Safety	ATEX Ex II 1GD, EExia IIC T4 ATEX Ex II 2GD, EExed(m) IIC T4 (T6)
Certified Ambient Temperature	-40°C to +55°C (EExia) -20°C to +50°C (EExed)
Ingress Protection	IP66 & 67
Material	Corrosion-free GRP
Entries	2 x 20mm
Weight	1.2kg

Options: Lift flap, series & EOL resistors.



Standard models. Available ex-stock.

Certification	Type	Ordering Code	Standard Product Configuration
ATEX Ex II 1GD	Intrinsically Safe	800005	Standard models have 2 x 20mm bottom entries, natural red GRP, single switch glass label 'Break Glass Press Here'.
ATEX Ex II 2GD	Increased Safety	800004	

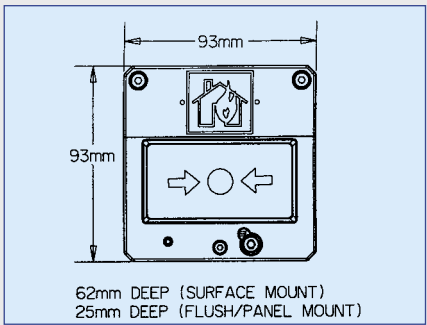
Download data sheets from www.medc.com

Manual Call Points

BG3 Break Glass Call Point – Explosionproof & Weatherproof



Certification	ATEX, Chinese
Intrinsically Safe	ATEX Ex II 1G, EExia IIC T4
Certified Ambient Temperature	-55°C to +55°C (EExia)
Ingress Protection	IP66 & 67
Material	Corrosion-free GRP
Entries	2 x 20mm
Weight	0.5kg
Options: Body colour, LED, lift flap, series & EOL resistors, flush mounting, tag & duty labels.	



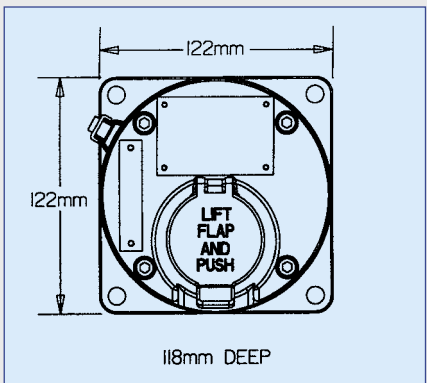
Standard models. Available ex-stock.

Certification	Type	Ordering Code	Standard Product Configuration
ATEX Ex II 1G	Intrinsically Safe	800007	Standard models are surface mount version, have 2 x 20mm bottom entries, natural red GRP, single switch glass label 'Fire Break Glass Press Here', duty label 'Burning House'
-	Weatherproof	800006	

SM87 PB Push Button Call Point – Explosionproof



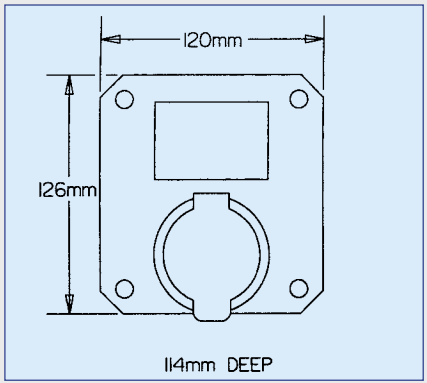
Certification	ATEX, GOST 'R' & 'K', Chinese
Intrinsically Safe	ATEX Ex II 1G, EExia IIC T4
Flameproof	ATEX Ex II 2G, EExd IIC T6
Certified Ambient Temperature	-55°C to +70°C -20°C to +55°C (LED)
Ingress Protection	IP66 & 67
Material	Stainless Steel or Alloy
Entries	Up to 4 x 20mm or 25mm
Weight	3.8kg (Steel) 2.5kg (Alloy)
Options: Body colour, LED, resistor, diode, 3 & 4 pole changeover switch, certification, tag & duty labels.	



PB Push Button Call Point – Explosionproof



Certification	ATEX, GOST 'R' & 'K', Chinese
Intrinsically Safe	ATEX Ex II 1GD, EExia IIC T4
Increased Safety	ATEX Ex II 2GD, EExed(m) IIC T4 (T6)
Certified Ambient Temperature	-40°C to +70°C (EExia) -20°C to +50°C (EExed)
Ingress Protection	IP66 & 67
Material	Corrosion-free GRP
Entries	Up to 4 x 20mm or 16mm
Weight	1.2kg
Options: Body colour, LED, series & EOL resistors, diode, earth continuity, turn & push, self reset, Chinese certification, tag & duty labels.	



Standard models. Available ex-stock.

Certification	Type	Finish	Ordering Code	Standard Product Configuration
ATEX Ex II 2GD	Increased Safety	Red	800010	Standard models have 2 x M20 entries, single switch